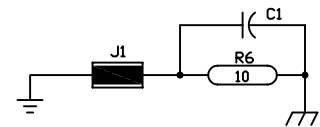
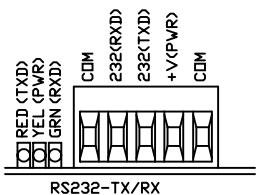
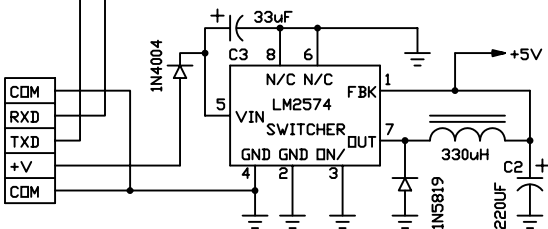
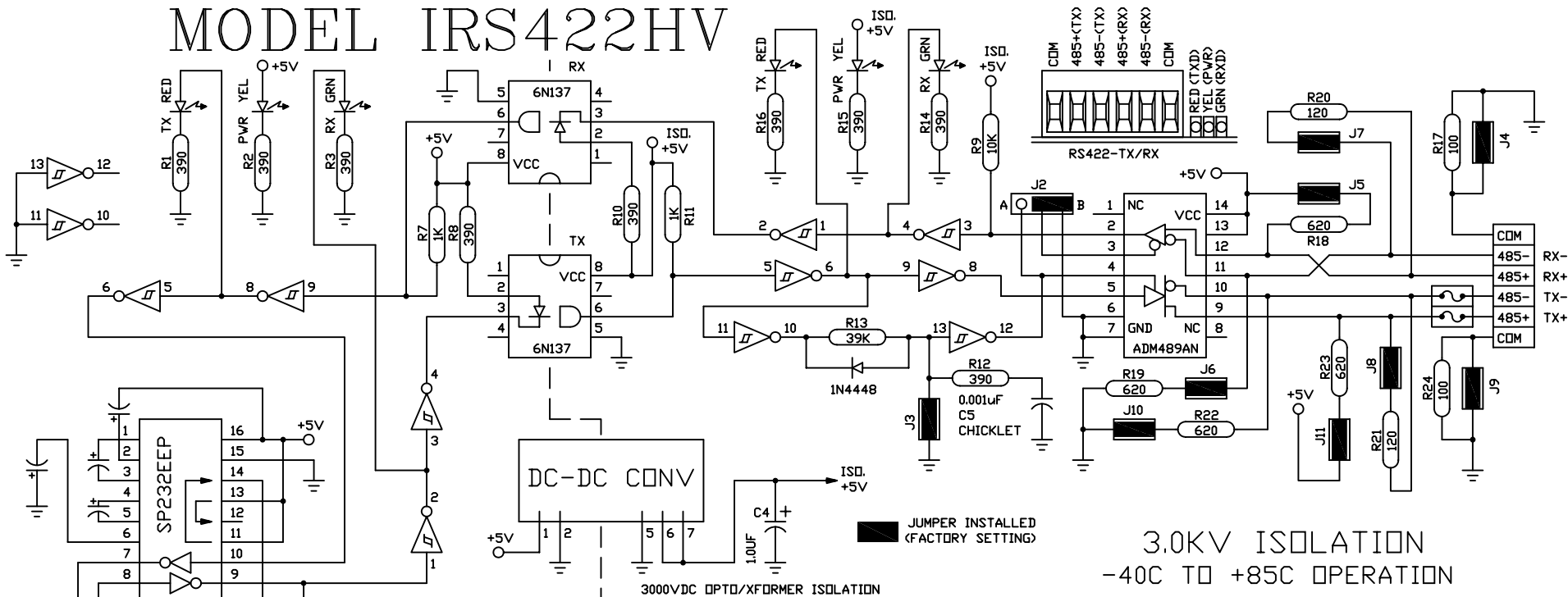


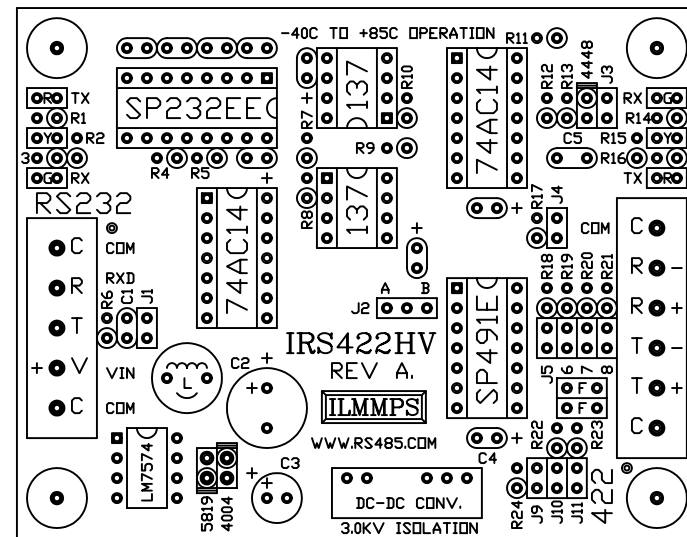
MODEL IRS422HV



JUMPER SETTINGS & MODES											
ENABLE	AUTO-TX	RX+BIAS	RX-BIAS	RXTERM	TXTERM	TX-BIAS	TX+BIAS	MODE			
J2	J3	J5	J6	J7	J8	J10	J11	B	I	I	RS422(4-WIRE) *DEFAULT
B	R	I	I	I	I	I	I	B	R	I	RS422(4-WIRE)MULTIDROP
B	R	I	I	R	I	R	R	B	R	I	RS485(2-WIRE)LOOP-BACK
A	R	I	I	R	I	R	R	A	R	I	RS485(2-WIRE)MULTIDROP

FOR RS485(2-WIRE) CONNECT RX+ TO TX+ AND RX- TO TX-
 A=INSTALL A, B=INSTALL B, I=INSTALL, R=REMOVE
 *=FACTORY DEFAULT SETTING (4-WIRE POINT-TO-POINT)

3.0KV ISOLATION
 -40C TO +85C OPERATION



RESmith
 WWW.RS485.COM
 4311 R. E. Smith Drive, Hamilton, Ohio 45011
 513-874-4796

SHEET 1 OF 1	IRS422HV	CHKD. BY RES	This drawing is the property of R. E. SMITH and shall not be used except with the written permission of R. E. SMITH, no copies shall be made of it and all proprietary rights in the matter contained in this drawing are the property of R. E. SMITH. COPYRIGHT - R. E. SMITH, 2002	DRAWN BY RES DATE 3-4-02 SCALE NONE	SUBJECT "AUTO" RS232/RS485 FOR ISOLATED 2/4-WIRE
			RES R. E. SMITH 4311 TYLERVILLE RD. HAMILTON, OHIO 45011	DWG. NO. IRS422HV	REV. A