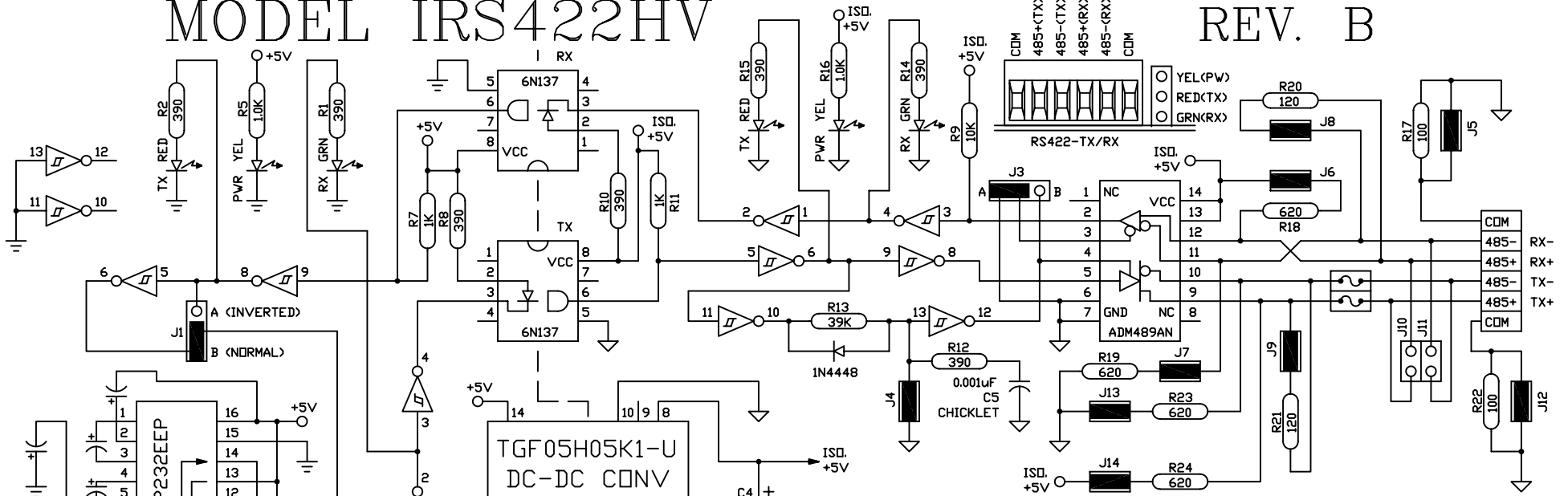


# MODEL IRS422HV

# REV. B

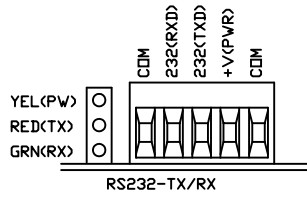
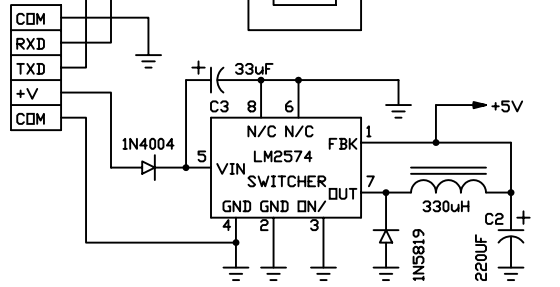
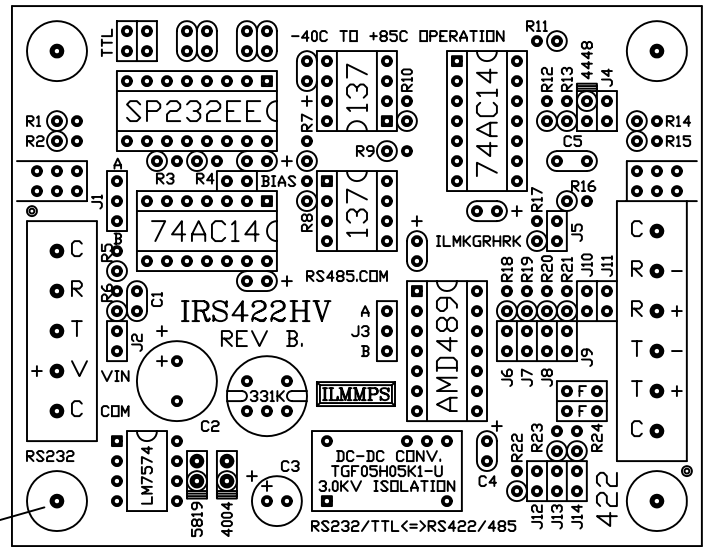


3.0KV ISOLATION  
-40C TO +85C OPERATION

### JUMPER SETTINGS & MODES

ENABLE	AUTO-TX	BIAS	RX+BIAS	RX-BIAS	RXTERM	TXTERM	TX-BIAS	TX+BIAS	MODE
J3	I	I	I	I	I	I	I	I	RS422(4-WIRE) *DEFAULT
A	R	I	I	I	I	I	I	I	RS422(4-WIRE)MULTIDROP
A	R	I	I	R	I	R	R	R	RS485(2-WIRE)LOOP-BACK
B	R	I	I	R	I	R	R	R	RS485(2-WIRE)MULTIDROP

FOR RS485(2-WIRE) INSTALL J10 & J11  
A=INSTALL A, B=INSTALL B, I=INSTALL, R=REMOVE  
\*=FACTORY DEFAULT SETTING (4-WIRE POINT-TO-POINT)



**RES**Smith  
[www.rs485.com](http://www.rs485.com)  
 4311 R. E. Smith Drive, Hamilton, Ohio 45011  
 513-874-4796

This drawing is the property of R. E. SMITH and shall not be used except with the written permission of R. E. SMITH, no copies shall be made of it and all proprietary rights in the matter contained in this drawing are the property of R. E. SMITH. COPYRIGHT - R. E. SMITH, 2000-2004		DRAWN BY RES	SUBJECT "AUTO" RS232/RS485	
SHEET 1 OF 1		DATE 12-5-04	FOR ISOLATED 2/4-WIRE	
IRS422HV		SCALE NONE	RES R. E. SMITH DVG. NO. 4311 R. E. SMITH DRIVE HAMILTON, OHIO 45011	
CHKD. BY RES		IRS422HV		B