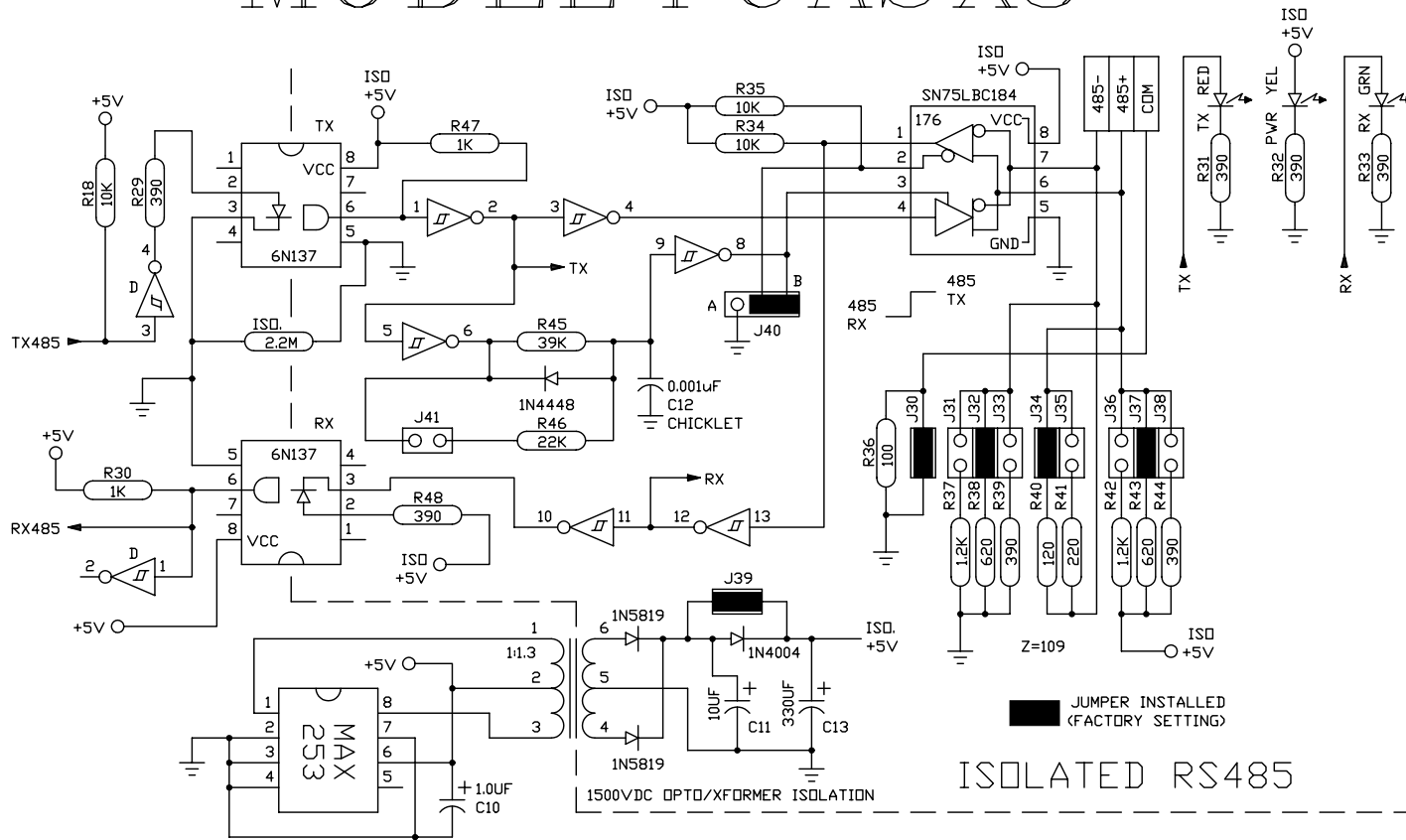
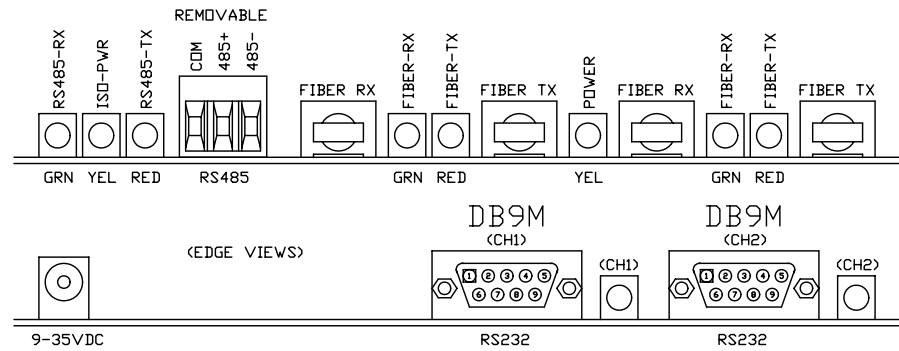


# MODEL FCASX3



ISOLATED RS485



R. E. SMITH  
 4311 TYLERSVILLE ROAD  
 HAMILTON, OHIO 45011  
 513-874-4796  
 513-874-1236 Fax.

www.rs485.com

FCASX3CPU  
 FCASX3FR  
 FCASX3485  
 FCASX3SS

This drawing is the property of R. E. SMITH and shall not be used except with the written permission of R. E. SMITH, no copies shall be made of it and all proprietary rights in the matter contained in this drawing are the property of R. E. SMITH. COPYRIGHT - R. E. SMITH, 2001		DRAWN BY RES	SUBJECT FIBER-RS485/232
SHEET 1 OF 1		DATE 5-26-01	FOR ADDRESSABLE CONV.
FCASX3485		SCALE NONE	RES R. E. SMITH 4311 TYLERSVILLE RD. HAMILTON, OHIO 45011
		CHKD. BY RES	DWG. NO. FCASX3485 REV. A1