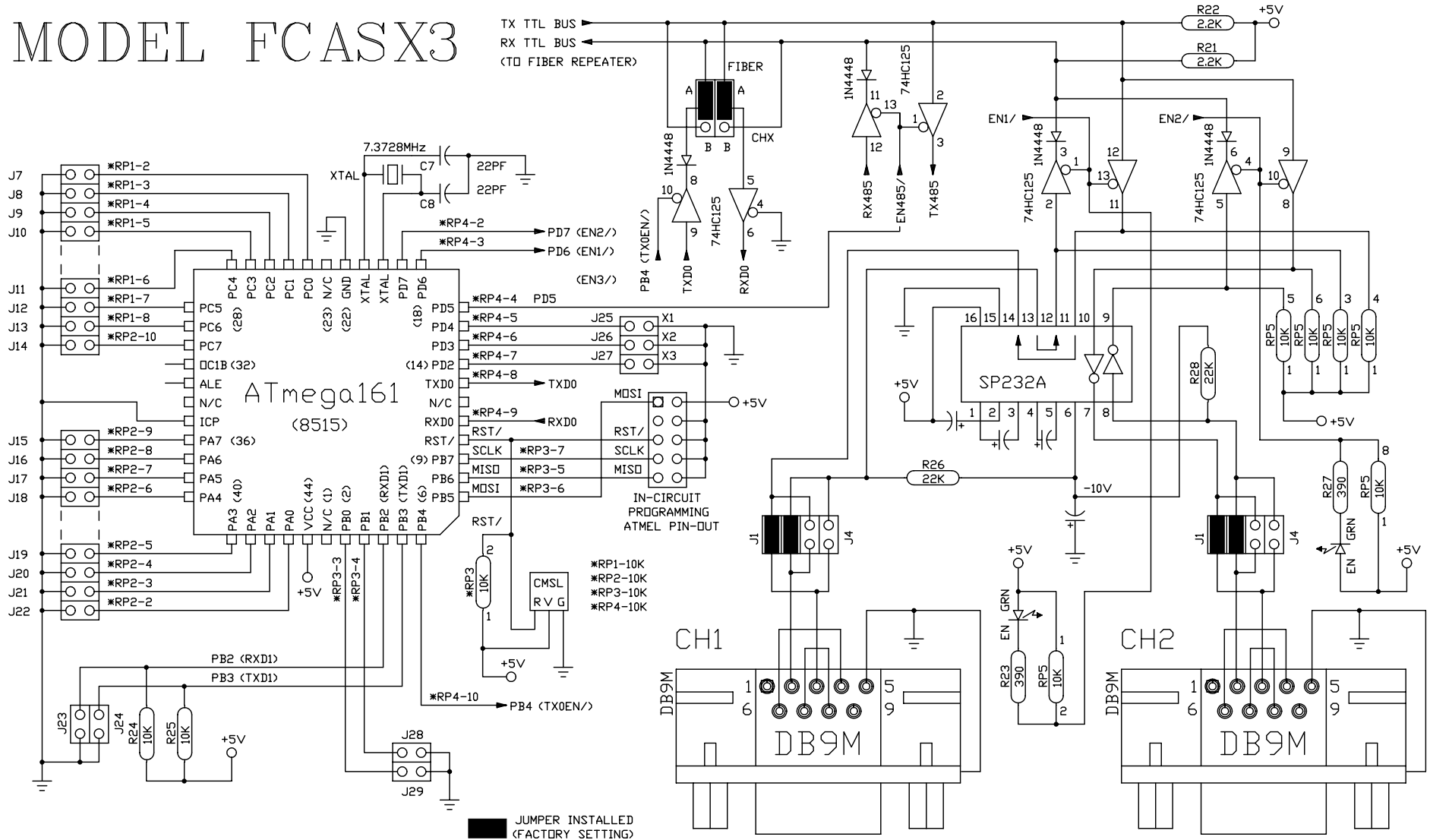
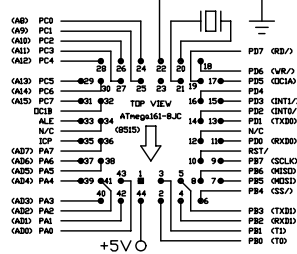


MODEL FCASX3

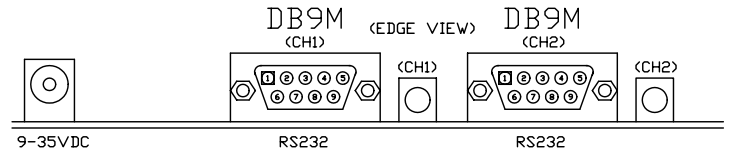


www.rs485.com

R. E. SMITH
4311 TYLERSVILLE RD.
HAMILTON, OHIO 45011
513-874-4796



FCASX3CPU
FCASX3FR
FCASX3485
FCASX3SS



This drawing is the property of R. E. SMITH and shall not be used except with the written permission of R. E. SMITH, no copies shall be made of it and all proprietary rights in the matter contained in this drawing are the property of R. E. SMITH. COPYRIGHT - R. E. SMITH, 2001		DRAWN BY RES	SUBJECT FIBER-RS485/232
SHEET 1 OF 1		DATE 5-26-01	FOR ADDRESSABLE CONV.
FCASX3CPU		SCALE NONE	REV. A1
CHKD. BY RES		RES R. E. SMITH 4311 TYLERSVILLE RD. HAMILTON, OHIO 45011	DWG. NO. FCASX3CPU