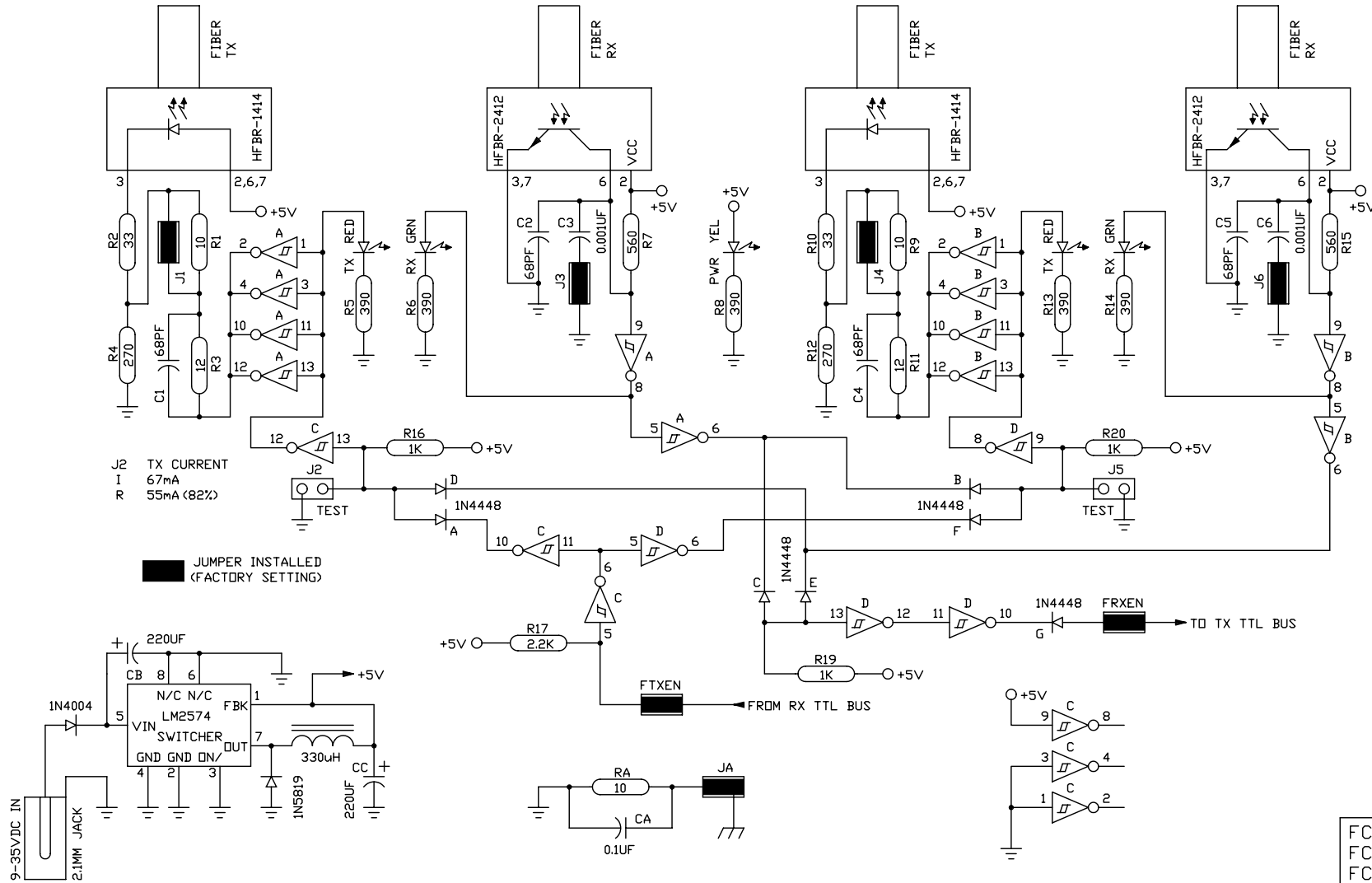


MODEL FCASX3



FCASX3CPU
 FCASX3FR
 FCASX3485
 FCASX3SS

R. E. SMITH
 4311 TYLERSVILLE ROAD
 HAMILTON, OHIO 45011
 513-874-4796
 513-874-1236 Fax.

www.rs485.com

This drawing is the property of R. E. SMITH and shall not be used except with the written permission of R. E. SMITH, no copies shall be made of it and all proprietary rights in the matter contained in this drawing are the property of R. E. SMITH. COPYRIGHT - R. E. SMITH, 2001		DRAWN BY RES	SUBJECT FIBER-RS485/232
SHEET 1 OF 1		DATE 5-26-01	FOR ADDRESSABLE CONV.
FCASX3FR		SCALE NONE	RES R. E. SMITH 4311 TYLERSVILLE RD. HAMILTON, OHIO 45011
CHKD. BY RES			DWG. NO. FCASX3FR REV. A1