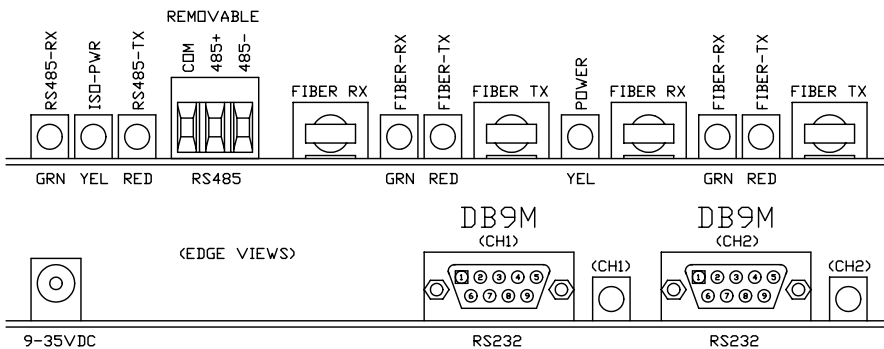
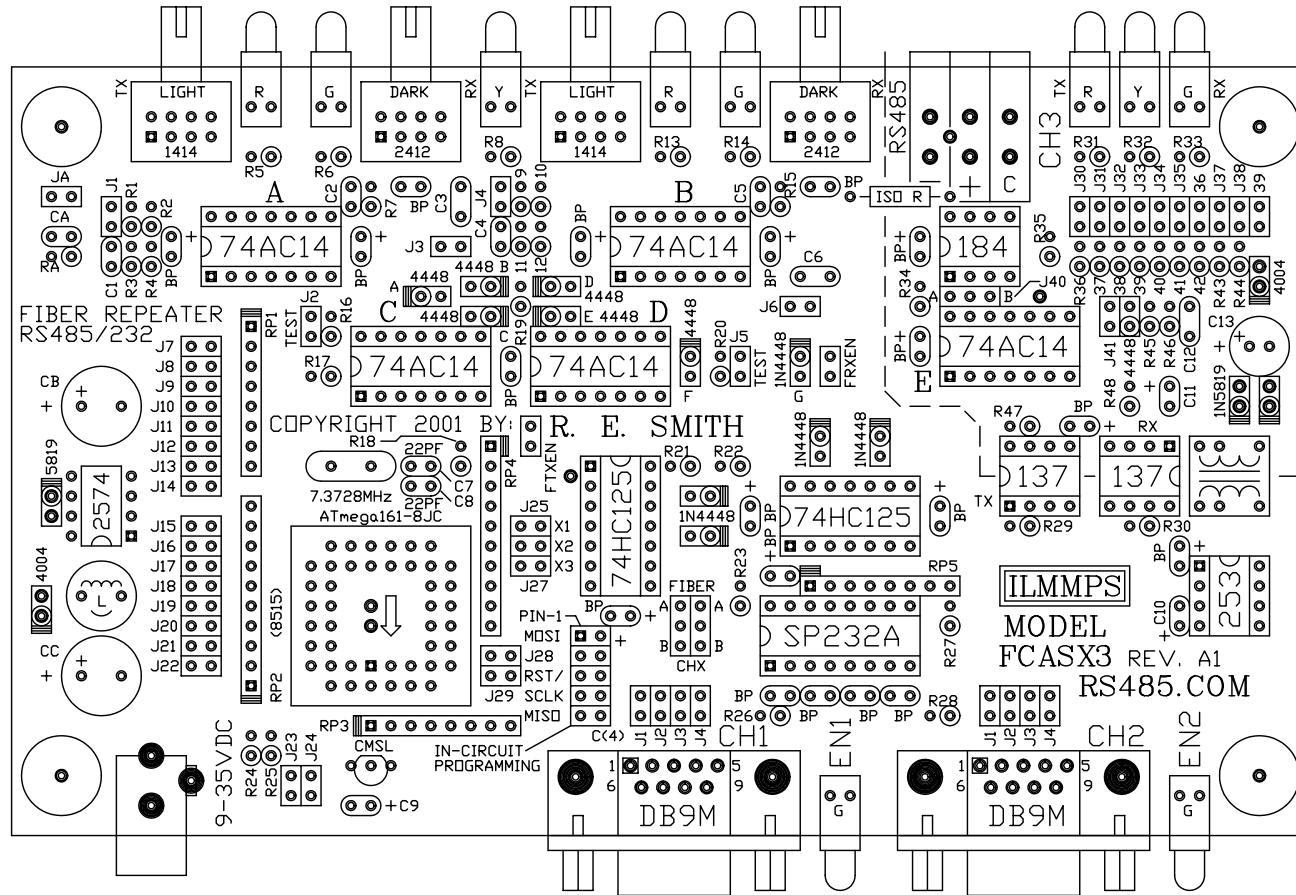


MODEL FCASX3 REV. A1

www.rs485.com



FCASX3CPU
FCASX3FR
FCASX3485
FCASX3SS

R. E. SMITH
4311 TYLERSVILLE ROAD
HAMILTON, OHIO 45011
513-874-4796
513-874-1236 Fax.

This drawing is the property of R. E. SMITH and shall not be used except with the written permission of R. E. SMITH, no copies shall be made of it and all proprietary rights in the matter contained in this drawing are the property of R. E. SMITH. COPYRIGHT - R. E. SMITH, 2001		DRAWN BY RES	SUBJECT FIBER-RS485/232
SHEET 1 OF 1		DATE 5-26-01	FOR ADDRESSABLE CONV.
FCASX3SS		SCALE NONE	REV. A1
		CHKD. BY RES	RES R. E. SMITH 4311 TYLERSVILLE RD. HAMILTON, OHIO 45011
			DWG. NO. FCASX3SS