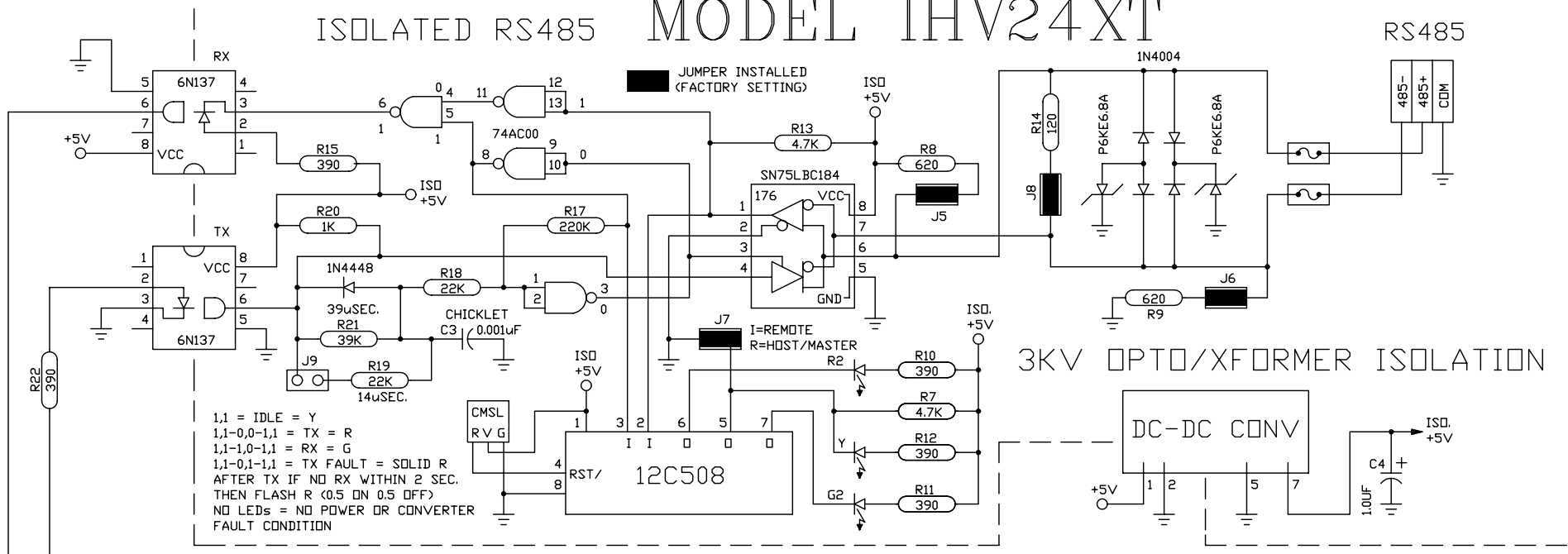


# ISOLATED RS485 MODEL IHV24XT

RS485

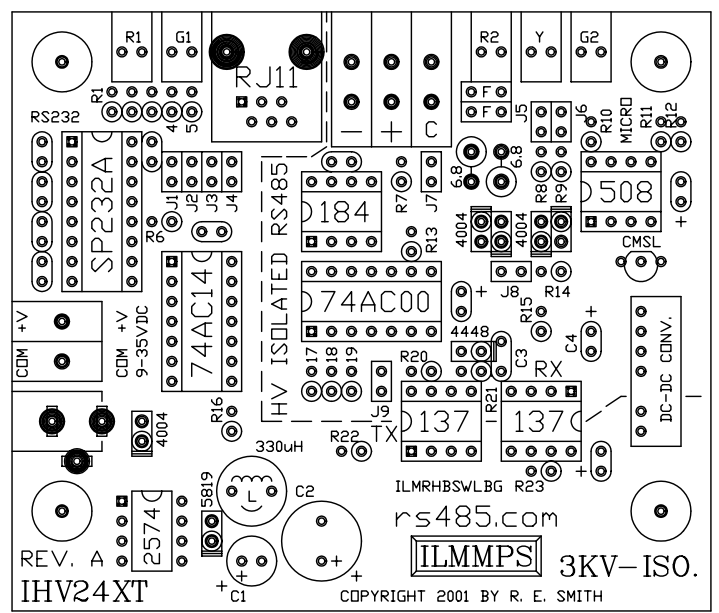
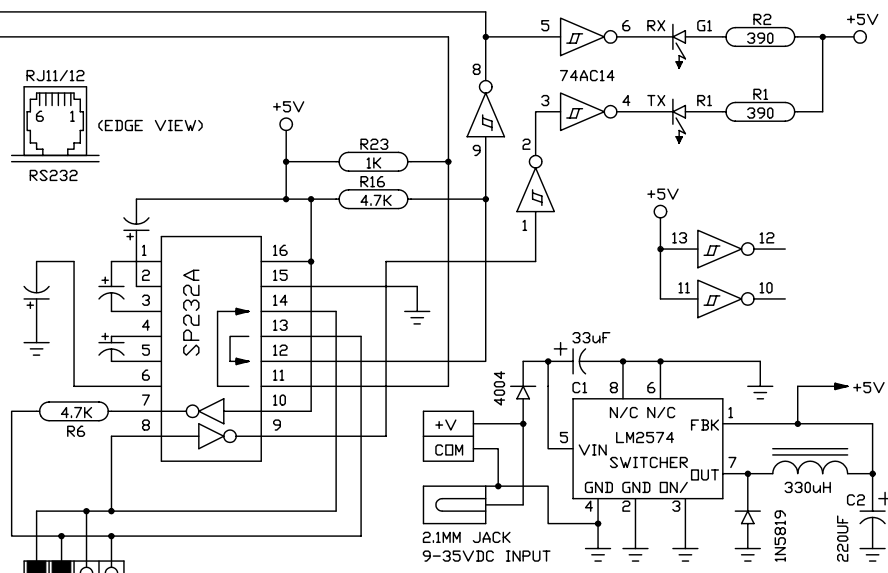
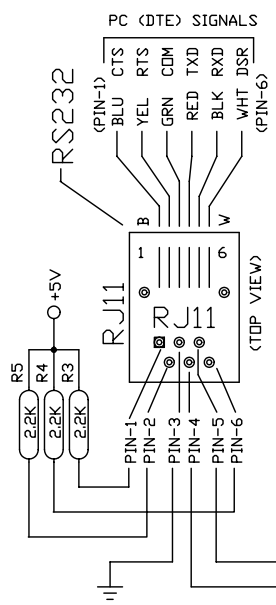


1,1 = IDLE = Y  
 1,1-0,0-1,1 = TX = R  
 1,1-1,0-1,1 = RX = G  
 1,1-0,1-1,1 = TX FAULT = SOLID R  
 AFTER TX IF NO RX WITHIN 2 SEC.  
 THEN FLASH R (0.5 ON 0.5 OFF)  
 NO LEDS = NO POWER OR CONVERTER  
 FAULT CONDITION

JUMPER INSTALLED  
 (FACTORY SETTING)

3KV OPTO/XFORMER ISOLATION

DC-DC CONV



R. E. SMITH  
 4311 TYLERSVILLE ROAD  
 HAMILTON, OHIO 45011  
 (513) 874-4796

[www.rs485.com](http://www.rs485.com)

NEW FEATURES: DUAL TRANSIENT PROTECTION,  
 SCHMITT TRIGGER TIMING, SPEED-UP JUMPER,  
 JUMPER SELECTABLE MASTER/REMOTE SOFTWARE,  
 AND SCREW TERMINAL POWER CONNECTION.

This drawing is the property of R. E. SMITH and shall not be used except with the written permission of R. E. SMITH, no copies shall be made of it and all proprietary rights in the matter contained in this drawing are the property of R. E. SMITH. COPYRIGHT - R. E. SMITH, 2001		DRAWN BY RES	SUBJECT "AUTO" RS232/RS485
SHEET 1 OF 1		DATE 7-21-01	FOR 1500VDC ISOLATED
IHV24XT		SCALE NONE	REV. B
CHKD. BY RES		RES R. E. SMITH 4311 TYLERSVILLE RD. HAMILTON, OHIO 45011	DWG. NO. IHV24XT