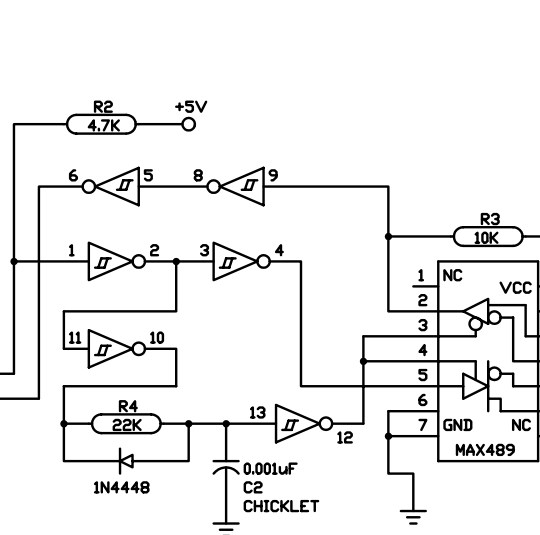
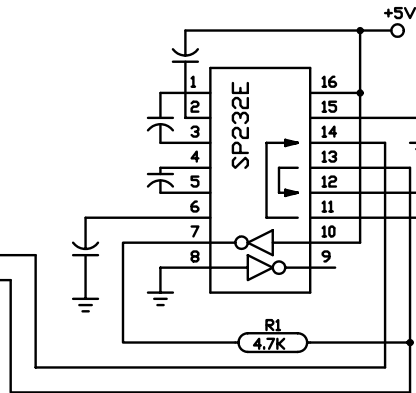
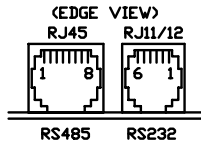
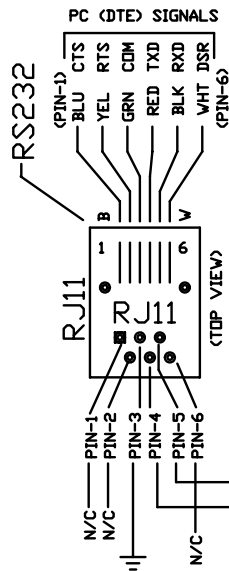
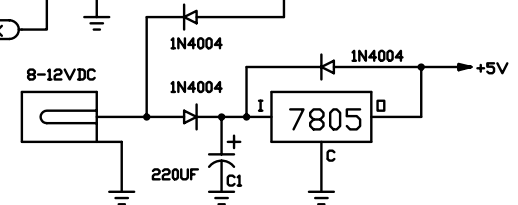
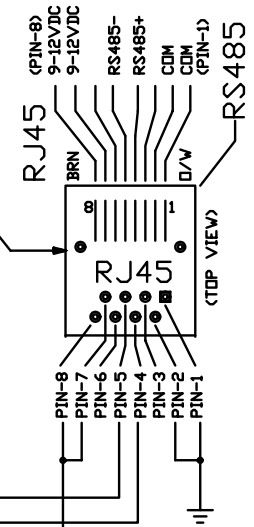


MODEL SSAC24R



T568A PIN-OUT
 PIN-1 GRN/WHT
 PIN-2 GRN(PR#3)
 PIN-3 GRN/WHT
 PIN-4 BLU(PR#1)
 PIN-5 BLU/WHT
 PIN-6 DRN(PR#2)
 PIN-7 BRN/WHT
 PIN-8 BRN(PR#4)
 (PR#2+3 COLOR CHANGE)

T568B PIN-OUT
 PIN-1 DRN/WHT
 PIN-2 DRN(PR#2)
 PIN-3 GRN/WHT
 PIN-4 BLU(PR#1)
 PIN-5 BLU/WHT
 PIN-6 GRN(PR#3)
 PIN-7 BRN/WHT
 PIN-8 BRN(PR#4)
 (PR#2+3 COLOR CHANGE)



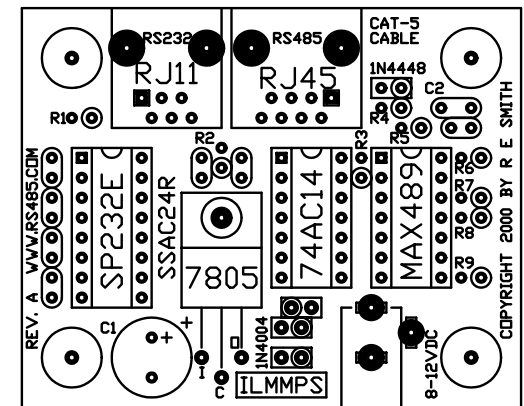
GENERAL INFO.

FAST AUTOMATIC AUTO TX-ENABLE
 RS232 TO RS485 CONVERTER FOR
 2-WIRE APPLICATIONS AT BAUD
 RATES UP TO 115.2K. LIMITED
 SLEW RATE DRIVER WITH LIGHT
 ONBOARD BIAS AND TERMINATION.

SPECIFICATIONS

- 1) SIZE: 2.50" X 2.00" X 0.9" (PC BOARD)
 WITH CONNECTORS: 2.50" X 2.25"
- 2) MOUNTING HOLES: 4-PLACES
 2.00" X 1.50" (#6 HARDWARE)
- 3) LIMITED SLEW RATE RS485
 DRIVER (MAX489) IC.
- 4) TEMPERATURE RANGE: 0C TO 65C
- 5) HUMIDITY: 10-90% RH NON-CONDENSING
- 6) BAUD: 300-115.2K (LIMITED SLEW)
- 7) OPERATING VOLTAGE: 8-15VDC
- 8) TYPICAL POWER: UNDER 0.5W
- 9) HALF-DUPLEX 2-WIRE RS485

ACTUAL SIZE (1:1)



R. E. SMITH
 4311 TYLERSVILLE ROAD
 HAMILTON, OHIO 45011
 (513) 874-4796

www.rs485.com

OPTIONAL ENCLOSURE,
 CABLE (DB9F OR DB25F),
 AND POWER SUPPLY
 ARE AVAILABLE.

This drawing is the property of R. E. SMITH and shall not be used except with the written permission of R. E. SMITH, no copies shall be made of it and all proprietary rights in the matter contained in this drawing are the property of R. E. SMITH. COPYRIGHT - R. E. SMITH, 2000		DRAWN BY RES	SUBJECT RS232/RS485	
DATE 2-17-00		FOR AUTOMATIC CONV.		
SCALE NONE		RES R. E. SMITH 4311 TYLERSVILLE RD. HAMILTON, OHIO 45011		
SHEET 1 OF 1		CHKD. BY RES	DWG. NO. SSAC24R	REV. A