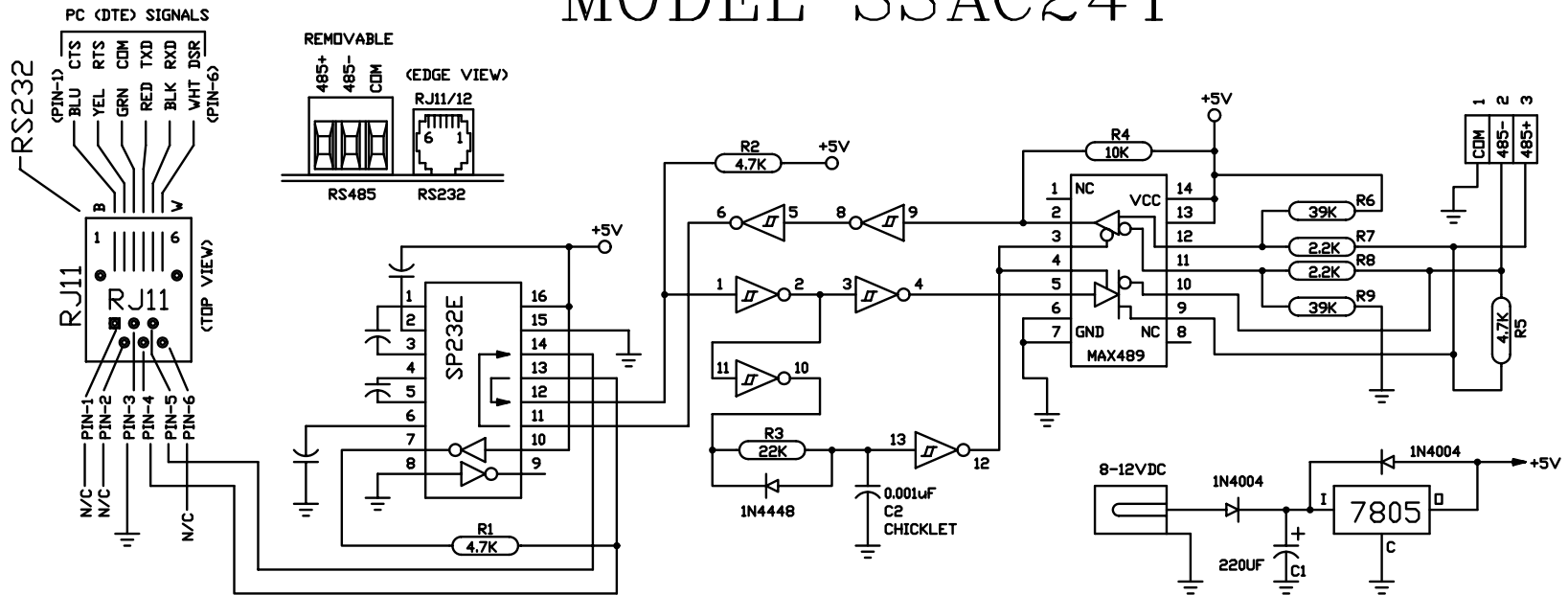


MODEL SSAC24T



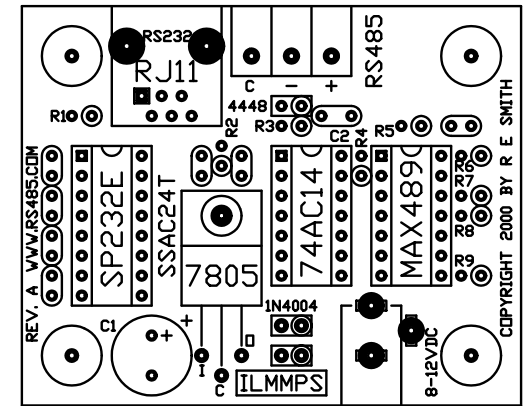
GENERAL INFO.

FAST AUTOMATIC AUTO TX-ENABLE
RS232 TO RS485 CONVERTER FOR
2-WIRE APPLICATIONS AT BAUD
RATES UP TO 115.2K. LIMITED
SLEW RATE DRIVER WITH LIGHT
ONBOARD BIAS AND TERMINATION.

SPECIFICATIONS

- 1) SIZE: 2.50" X 2.00" X 0.9" (PC BOARD)
WITH CONNECTORS: 2.50" X 2.50"
- 2) MOUNTING HOLES: 4-PLACES
2.00" X 1.50" (#6 HARDWARE)
- 3) LIMITED SLEW RATE RS485
DRIVER (MAX489) IC.
- 4) TEMPERATURE RANGE: 0C TO 65C
- 5) HUMIDITY: 10-90% RH NON-CONDENSING
- 6) BAUD: 300-115.2K (LIMITED SLEW)
- 7) OPERATING VOLTAGE: 8-15VDC
- 8) TYPICAL POWER: UNDER 0.5W
- 9) HALF-DUPLEX 2-WIRE RS485

ACTUAL SIZE (1:1)



R. E. SMITH
4311 TYLERSVILLE ROAD
HAMILTON, OHIO 45011
(513) 874-4796

www.rs485.com

OPTIONAL ENCLOSURE,
CABLE (DB9F OR DB25F),
AND POWER SUPPLY
ARE AVAILABLE.

This drawing is the property of R. E. SMITH and shall not be used except with the written permission of R. E. SMITH, no copies shall be made of it and all proprietary rights in the matter contained in this drawing are the property of R. E. SMITH. COPYRIGHT - R. E. SMITH, 2000		DRAWN BY RES	SUBJECT RS232/RS485
		DATE 2-17-00	FDR AUTOMATIC CONV.
		SCALE NONE	RES R. E. SMITH 4311 TYLERSVILLE RD. HAMILTON, OHIO 45011
SHEET 1 OF 1	SSAC24T	CHKD. BY RES	REV. A