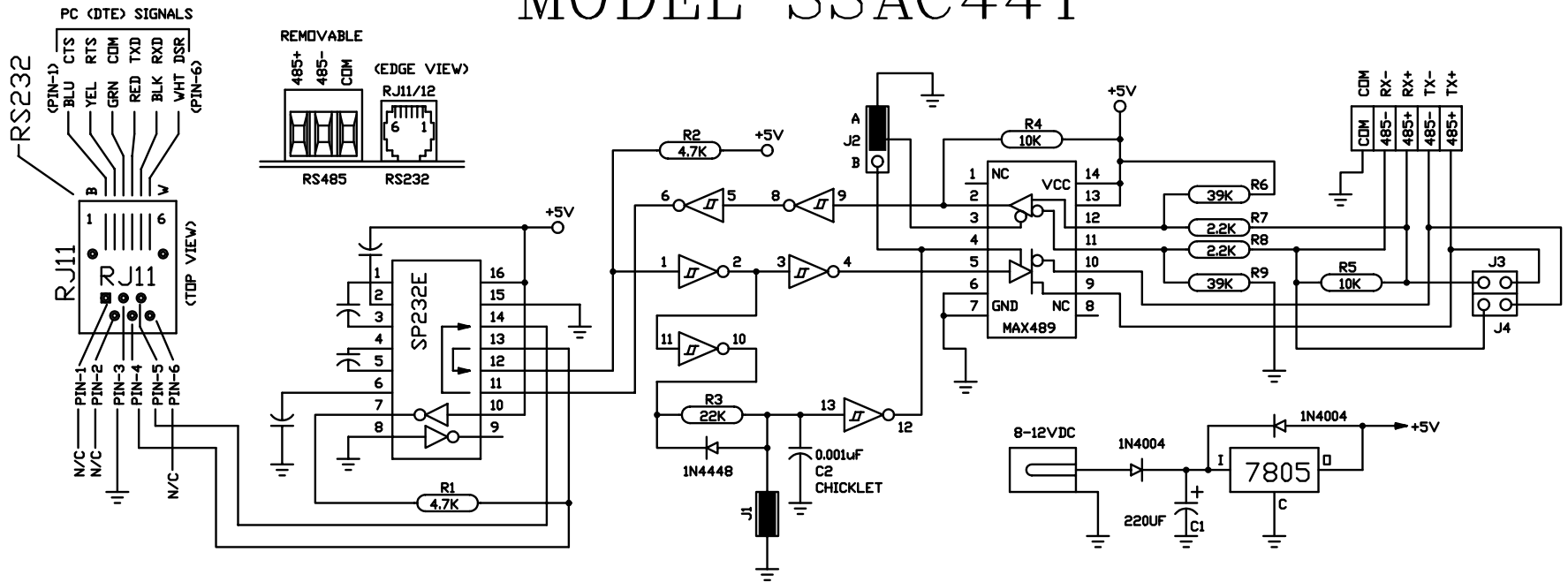


MODEL SSAC44T



GENERAL INFO.

FAST AUTOMATIC AUTO TX-ENABLE RS232 TO RS485 CONVERTER FOR 2/4-WIRE APPLICATIONS AT BAUD RATES UP TO 115.2K. LIMITED SLEW RATE DRIVERS WITH LIGHT ONBOARD BIAS AND TERMINATION.

J1	J2	J3	J4	MODE
I	A	R	R	RS422(4-WIRE)*
R	A	R	R	RS422(AUTO-TX)
X	A	I	I	RS422(LOOP-TEST)
R	B	I	I	RS485(2-WIRE)
R	A	I	I	RS485(LOOP-TEST)

A=INSTALL A, B=INSTALL B, I=INSTALL
R=REMOVE, X=DON'T CARE, *=FACTORY SETTING

R. E. SMITH
4311 TYLERSVILLE ROAD
HAMILTON, OHIO 45011
(513) 874-4796

www.rs485.com

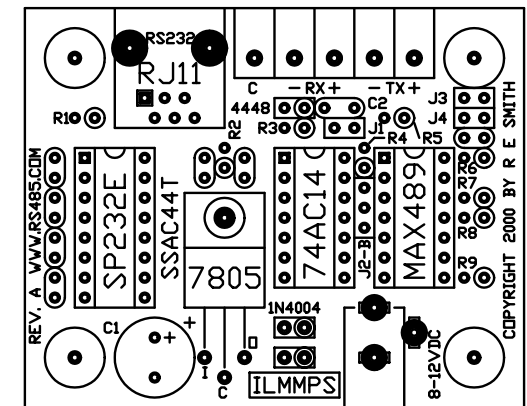
SPECIFICATIONS

- 1) SIZE: 2.50" X 2.00" X 0.9" (PC BOARD) WITH CONNECTORS: 2.50" X 2.65"
- 2) MOUNTING HOLES: 4-PLACES 2.00" X 1.50" (#6 HARDWARE)
- 3) LIMITED SLEW RATE RS485 DRIVER (MAX489) IC.
- 4) TEMPERATURE RANGE: 0C TO 65C
- 5) HUMIDITY: 10-90% RH NON-CONDENSING
- 6) BAUD: 300-115.2K (LIMITED SLEW)
- 7) OPERATING VOLTAGE: 8-12VDC
- 8) TYPICAL POWER: UNDER 0.5W
- 9) HALF-DUPLEX 2/4-WIRE RS422/485

OPTIONAL ENCLOSURE, CABLE (DB9F OR DB25F), AND POWER SUPPLY ARE AVAILABLE.

\$45.00ea 1-9 Qty.
\$34.75ea 100 Qty.

ACTUAL SIZE (1:1)



This drawing is the property of R. E. SMITH and shall not be used except with the written permission of R. E. SMITH, no copies shall be made of it and all proprietary rights in the matter contained in this drawing are the property of R. E. SMITH. COPYRIGHT - R. E. SMITH, 2000		DRAWN BY RES	SUBJECT RS232/RS485
DATE 2-17-00		FOR	AUTOMATIC CONV.
SCALE NONE		RES	R. E. SMITH 4311 TYLERSVILLE RD. HAMILTON, OHIO 45011
SHEET 1 OF 1	SSAC44T	CHKD. BY RES	DWG. NO. SSAC44T REV. A