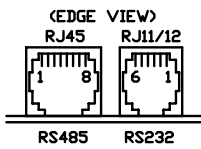
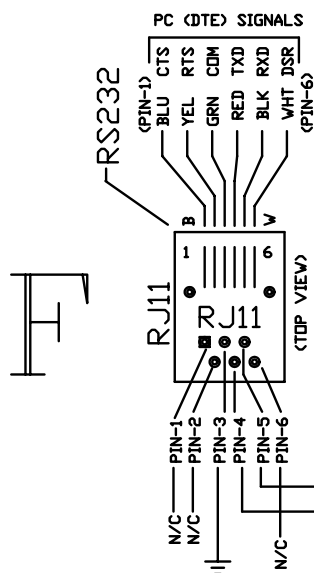


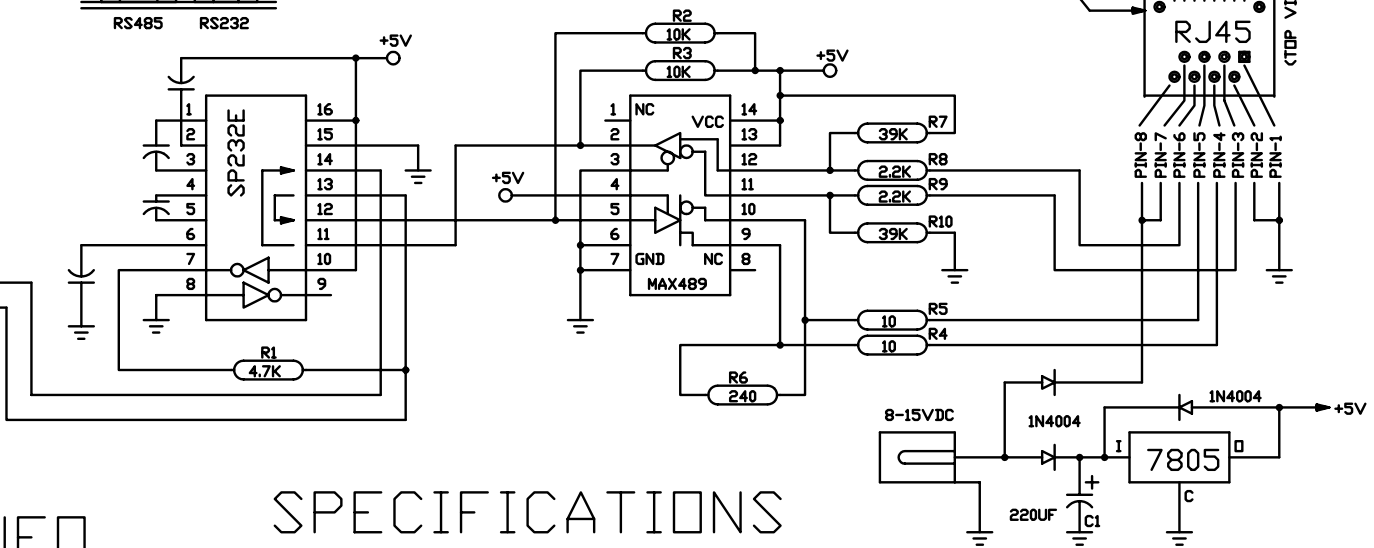
MODEL SSC232F USE CAT5 CABLE

(1/2 "RS232 EXTENSION CORD") FULL-DUPLEX



| T568A PIN-OUT | T568B PIN-OUT |
|-----------------|-----------------|
| PIN-1 GRN/WHT | PIN-1 DRN/WHT |
| PIN-2 GRN(PR#3) | PIN-2 DRN(PR#2) |
| PIN-3 DRN/WHT | PIN-3 GRN/WHT |
| PIN-4 BLU(PR#1) | PIN-4 BLU(PR#1) |
| PIN-5 BLU/WHT | PIN-5 GRN(PR#3) |
| PIN-6 DRN(PR#2) | PIN-6 GRN(PR#3) |
| PIN-7 BRN/WHT | PIN-7 BRN/WHT |
| PIN-8 BRN(PR#4) | PIN-8 BRN(PR#4) |

(PR#2+3 COLOR CHANGE)



GENERAL INFO.
 FULL-DUPLEX RS232<=>RS422/
 RS485 CONVERTER FOR 4-WIRE
 APPLICATIONS AT BAUD RATES
 UP TO 115.2K. LIMITED SLEW
 RATE DRIVER WITH LIGHT
 ONBOARD BIAS AND TERMINATION.

NOTE: USE THIS BOARD WITH
 DB9F-7 CABLE AT HOST PC END,
 ALSO APPLY POWER HERE.

R. E. SMITH
 4311 TYLERSVILLE ROAD
 HAMILTON, OHIO 45011
 (513) 874-4796

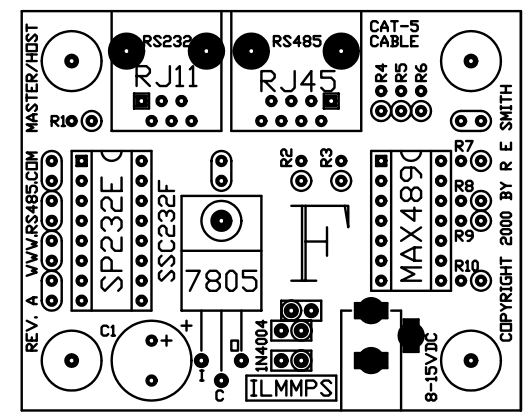
www.rs485.com

SPECIFICATIONS

- 1) SIZE: 2.50" X 2.00" X 0.9" (PC BOARD)
 WITH CONNECTORS: 2.50" X 2.25"
- 2) MOUNTING HOLES: 4-PLACES
 2.00" X 1.50" (#6 HARDWARE)
- 3) LIMITED SLEW RATE RS485
 DRIVER (MAX489) IC.
- 4) TEMPERATURE RANGE: 0C TO 65C
- 5) HUMIDITY: 10-90% RH NON-CONDENSING
- 6) BAUD: 300-115.2K (LIMITED SLEW)
- 7) OPERATING VOLTAGE: 8-15VDC
- 8) TYPICAL POWER: UNDER 0.5W
- 9) FULL-DUPLEX 4-WIRE RS422/485

OPTIONAL ENCLOSURE,
 CABLE (DB9F OR DB25F),
 AND POWER SUPPLY
 ARE AVAILIABLE.

ACTUAL SIZE (1:1)



| | | | |
|---|--|---|----------------------------|
| This drawing is the property of R. E. SMITH and shall not be used except with the written permission of R. E. SMITH, no copies shall be made of it and all proprietary rights in the matter contained in this drawing are the property of R. E. SMITH. COPYRIGHT - R. E. SMITH, 2000 | | DRAWN BY RES | SUBJECT RS232 TO CAT-5 |
| SHEET 1 OF 1 | | DATE 2-17-00 | FOR "EXTENSION CORD" |
| SSC232F | | SCALE NONE | REV. A |
| CHKD. BY RES | | RES R. E. SMITH 4311 TYLERSVILLE RD. HAMILTON, OHIO 45011 | DWG. NO. SSC232F REV. A |