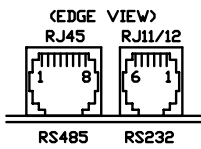
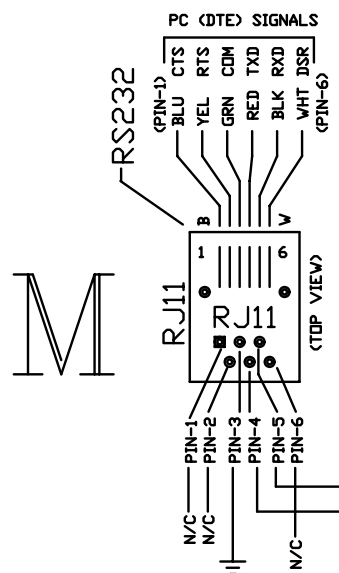


MODEL SSC232M USE CAT5 CABLE

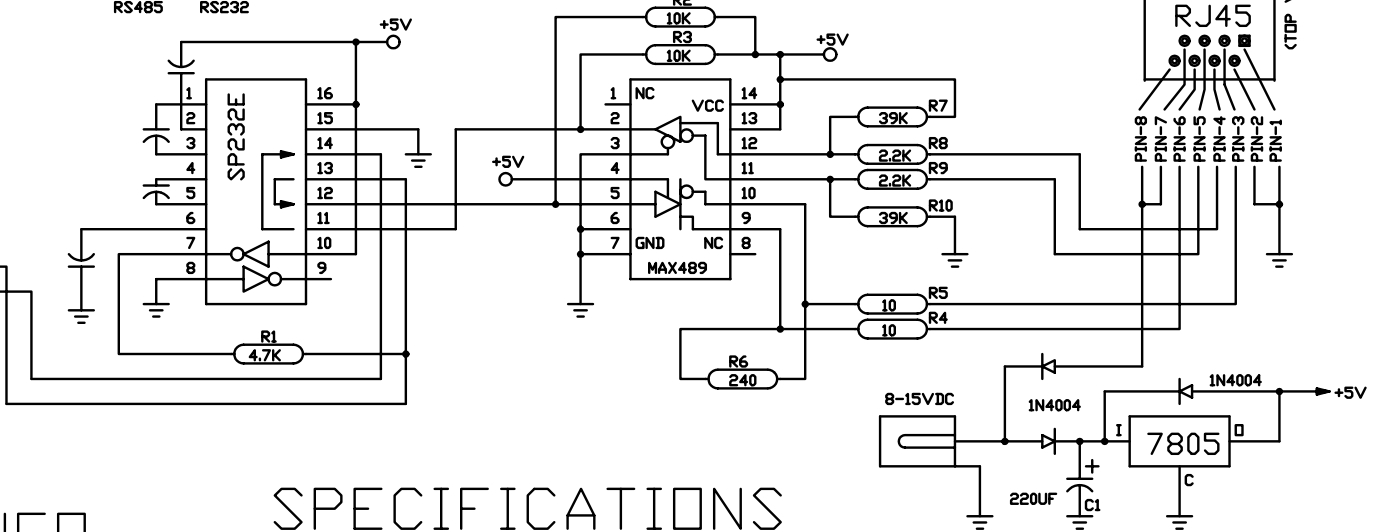
(1/2 "RS232 EXTENSION CORD")

FULL DUPLEX



T568A PIN-OUT	T568B PIN-OUT
PIN-1 GRN/WHT	PIN-1 DRN/WHT
PIN-2 GRN(PR#3)	PIN-2 DRN(PR#2)
PIN-3 DRN/WHT	PIN-3 GRN/WHT
PIN-4 BLU(PR#1)	PIN-4 BLU(PR#1)
PIN-5 BLU/WHT	PIN-5 GRN(PR#3)
PIN-6 DRN(PR#2)	PIN-6 GRN(PR#2)
PIN-7 BRN/WHT	PIN-7 BRN/WHT
PIN-8 BRN(PR#4)	PIN-8 BRN(PR#4)

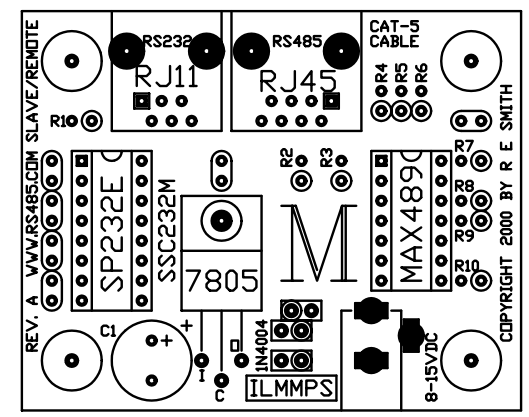
(PR#2+3 COLOR CHANGE)



GENERAL INFO.
 FULL-DUPLEX RS232<=>RS422/
 RS485 CONVERTER FOR 4-WIRE
 APPLICATIONS AT BAUD RATES
 UP TO 115.2K. LIMITED SLEW
 RATE DRIVER WITH LIGHT
 ONBOARD BIAS AND TERMINATION.
 NOTE: USE THIS BOARD WITH
 DB9M-7 CABLE AT REMOTE END,
 AND OPTIONAL POWER IF NEEDED.

- SPECIFICATIONS**
- 1) SIZE: 2.50" X 2.00" X 0.9" (PC BOARD)
 WITH CONNECTORS: 2.50" X 2.25"
 - 2) MOUNTING HOLES: 4-PLACES
 2.00" X 1.50" (#6 HARDWARE)
 - 3) LIMITED SLEW RATE RS485
 DRIVER (MAX489) IC.
 - 4) TEMPERATURE RANGE: 0C TO 65C
 - 5) HUMIDITY: 10-90% RH NON-CONDENSING
 - 6) BAUD: 300-115.2K (LIMITED SLEW)
 - 7) OPERATING VOLTAGE: 8-15VDC
 - 8) TYPICAL POWER: UNDER 0.5W
 - 9) FULL-DUPLEX 4-WIRE RS422/485

ACTUAL SIZE (1:1)



R. E. SMITH
 4311 TYLERSVILLE ROAD
 HAMILTON, OHIO 45011
 (513) 874-4796

www.rs485.com

OPTIONAL ENCLOSURE,
 CABLE (DB9F OR DB25F),
 AND POWER SUPPLY
 ARE AVAILABLE.

This drawing is the property of R. E. SMITH and shall not be used except with the written permission of R. E. SMITH, no copies shall be made of it and all proprietary rights in the matter contained in this drawing are the property of R. E. SMITH. COPYRIGHT - R. E. SMITH, 2000		DRAWN BY RES	SUBJECT RS232 TO CAT-5
SHEET 1 OF 1		DATE 2-17-00	FOR "EXTENSION CORD"
SSC232M		SCALE NONE	REV. R. E. SMITH 4311 TYLERSVILLE RD. HAMILTON, OHIO 45011
CHKD. BY RES		RES	DWG. NO. SSC232M REV. A