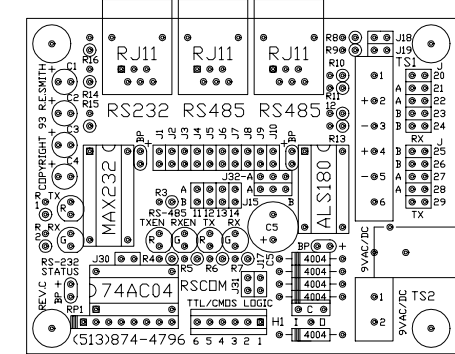
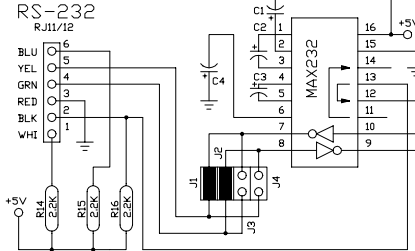


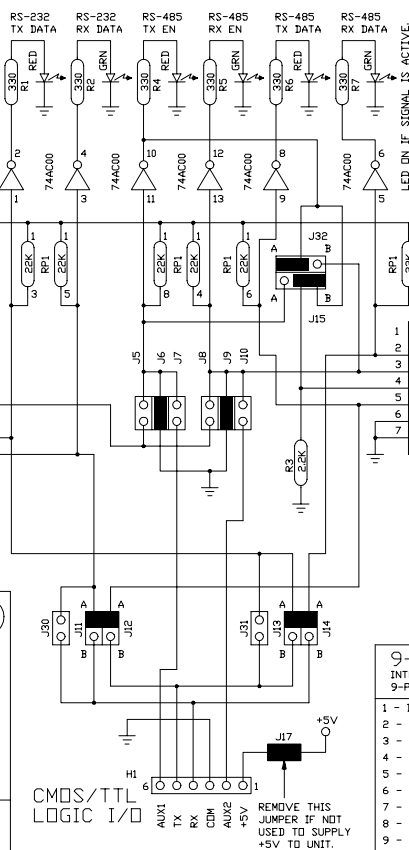
MODEL RSCOM REV. C

RS-232 TO TTL/CMDS LOGIC  
 RS-485 TO TTL/CMDS LOGIC  
 RS-232 TO RS-485 FULL DUPLEX  
 RS-232 TO RS-485 HALF DUPLEX  
 RS-232 IS FULL DUPLEX IN ALL MODES OF OPERATION  
 RS-485 IS FULL OR HALF DUPLEX WITH CONTROL FROM RS-232 OR TTL/CMDS LOGIC VIA JUMPERS 2-WIRE OR 4-WIRE OPERATION WITH SHIELD AND GROUND OPTION ONBOARD TERMINATION RESISTORS RS-485 DAISY CHAIN RJ11/12 CONNECTORS OR TERMINAL STRIP +5V LOGIC AND LED INDICATORS 29 CONFIGURATION JUMPERS FOR FLEXIBLE COMMUNICATIONS CONVERSION USE 6-WIRE TELEPHONE CABLES OR OPTIONAL TERMINAL STRIP CONNECTION

SEE MANUAL FOR CONFIGURATION AND SETUP INFORMATION.



ACTUAL SIZE (1:1)



CMDS/TTL LOGIC I/O

REMOVE THIS JUMPER IF NOT USED TO SUPPLY +5V TO UNIT.

REVISION HISTORY  
 A) ORIGINAL DESIGN  
 B) ADD RS-485 INPUT NETWORK, J30, J31  
 C) ADD J32A,B FOR TX/RX FROM RTS; RJ-11 TO EDGE. REMOVE J16, 2.2K PULLUP TO RTS.

JUMPER INSTALLED (FACTORY SETTING)

REMOVE JUMPERS J18 AND J19 IF NOT END OF TRANSMISSION LINE. ONLY TWO TERMINATION RESISTORS PER PAIR OF LINES (60 OHMS MAX.)

9-PIN, 6-WIRE INTERFACE CABLE FOR IBM PC 9-PIN M-DSUB RS-232 RJ-11

1 - DCD - INP	TXD YEL 5
2 - RXD - INP	RXD GRN 4
3 - TXD - OUT	(DIR - ALT)
4 - DTR - OUT	GND RED 3
5 - GND - XXX	+5V BLU 6
6 - DSR - INP	DIR BLK 2
7 - RTS - OUT	+5V WHT 1
8 - CTS - INP	
9 - RI - INP	

USE CUT WALL XFORMER #PDP090020-P-1 DR EQUIV. 9VDC @ 200MA (9VAC OK)

ORDERING/TECHNICAL INF.  
 R. E. SMITH  
 431 TYLERSVILLE ROAD  
 HAMILTON, OHIO 45011  
 (513) 874-4796  
 (513) 874-1236 FAX.

This drawing is the property of R. E. SMITH and shall not be used except with the written permission of R. E. SMITH; no copies shall be made of it and all proprietary rights in the matter contained in this drawing are the property of R. E. SMITH.  
 COPYRIGHT - R. E. SMITH, 1993

DRAWN BY RES  
 DATE 8-18-93  
 SCALE NONE  
 CHECK BY RES

SUBJECT  
 RS232/RS485/TTL  
 FOR COMM CONVERSION  
 R. E. SMITH  
 431 TYLERSVILLE RD.  
 HAMILTON, OHIO 45011  
 DWG. NO. 9305-10001  
 REV. C