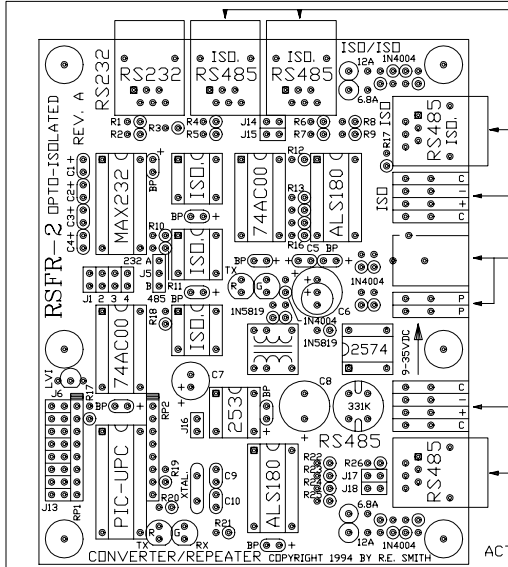


R. E. SMITH
4311 TYLERSVILLE ROAD
HAMILTON, OHIO 45011
(513) 874-4796

MODEL RSFR-2

ISOLATED RS-232 TO RS-485
AUTOMATIC CONVERTER/REPEATER
MICROPROCESSOR AND CRYSTAL
CONTROLLED, SINGLE 9-35VDC
OPERATION AND MUCH MORE



ISOLATED RS485

9-35VDC POWER IN
(EITHER POLARITY)
(100mA TYPICAL)

JUMPERS:
J5A = CONVERTER, J5B = REPEATER
J14 = ISOLATED RS485 TERMINATION
J17 = NON-ISOLATED RS485 TERMINATION
J15 INSTALLED = SHIELD (PINS 1 AND 6 ON TOP
3 RJ-11 CONNECTORS ARE CONNECTED TO ISOLATED
LOGIC COMMON), J18 INSTALLED = SHIELD (1 AND
6 TO NON-ISOLATED LOGIC COMMON)

NON-ISOLATED RS485

RJ-11 RS485 CONNECTOR:
PIN 3 = INVERTING
PIN 4 = NON-INVERTING

ACTUAL SIZE (1:1)

NOTE: REMOVE POWER TO CHANGE BAUD/BIT JUMPERS

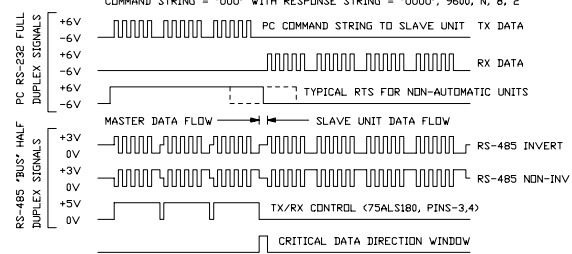
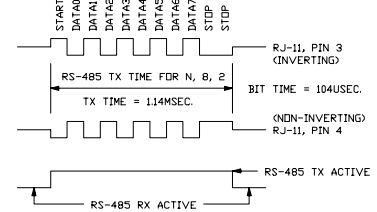
BAUD	J6	J7	J8	J9
300	REMOVE	REMOVE	REMOVE	REMOVE
600	REMOVE	REMOVE	REMOVE	INSTALL
1200	REMOVE	REMOVE	INSTALL	REMOVE
2400	REMOVE	REMOVE	INSTALL	INSTALL
4800	REMOVE	INSTALL	REMOVE	REMOVE
9600	REMOVE	INSTALL	REMOVE	INSTALL
19200	REMOVE	INSTALL	INSTALL	REMOVE
38400	REMOVE	INSTALL	INSTALL	INSTALL
57600	INSTALL	REMOVE	REMOVE	REMOVE
76800	INSTALL	REMOVE	REMOVE	INSTALL
115200	INSTALL	REMOVE	INSTALL	REMOVE
RESVD	INSTALL	REMOVE	INSTALL	INSTALL
RESVD	INSTALL	INSTALL	REMOVE	REMOVE
RESVD	INSTALL	INSTALL	REMOVE	INSTALL
RESVD	INSTALL	INSTALL	INSTALL	REMOVE
9600*	INSTALL	INSTALL	INSTALL	INSTALL

* FACTORY SETTING FOR 9600, N, 8, 1 WITH
JUMPERS J10 THRU J13 IGNORED (XXXX)
FOR ALL OTHER BAUD RATES REMOVE
JUMPERS AS REQUIRED.

TOTAL BITS	START	PARITY	DATA	STOP	EXAMPLE
6	REMOVE	REMOVE	REMOVE	REMOVE	
6-1/2	REMOVE	REMOVE	REMOVE	INSTALL	
7	REMOVE	REMOVE	INSTALL	REMOVE	
7-1/2	REMOVE	REMOVE	INSTALL	INSTALL	
8	REMOVE	INSTALL	REMOVE	REMOVE	
8-1/2	REMOVE	INSTALL	REMOVE	INSTALL	
9	REMOVE	INSTALL	INSTALL	REMOVE	N, 7, 1
9-1/2	REMOVE	INSTALL	INSTALL	INSTALL	
10	INSTALL	REMOVE	REMOVE	REMOVE	N, 8, 1
10-1/2	INSTALL	REMOVE	REMOVE	INSTALL	
11	INSTALL	REMOVE	INSTALL	REMOVE	N, 8, 2
11-1/2	INSTALL	REMOVE	INSTALL	INSTALL	
12	INSTALL	INSTALL	REMOVE	REMOVE	
12-1/2	INSTALL	INSTALL	REMOVE	INSTALL	
13	INSTALL	INSTALL	INSTALL	REMOVE	
13-1/2	INSTALL	INSTALL	INSTALL	INSTALL	

NOTES: AT 115.2K BAUD THE START BIT ERROR IS
UNDER 200NS (2.5%), THE END OF CHARACTER
UNCERTAINTY IS APPROXIMATELY 20USEC.

TYPICAL OPERATION FOR 9600, N, 8, 2
USING CENTER PAIR ON RJ-11 WITH NO REV.



DATA DIRECTION REVERSAL MUST OCCUR IN MICRO-SECONDS FOR RELIABLE HIGH-SPEED
RS-485 COMMUNICATIONS. PC RTS CONTROL IS OFTEN TOO SLOW OR NOT IMPLEMENTED.

This drawing is the property of R. E. SMITH and shall not be used except with the written permission of R. E. SMITH; no copies shall be made of it and all proprietary rights in the matter contained in this drawing are the property of R. E. SMITH. COPYRIGHT - R. E. SMITH, 1993	DRAWN BY RES	SUBJECT FAST CONVERTER	
	DATE 11-22-94	FOR COMM CONVERSION	
SHEET 1 OF 1	SCALE NONE	RES	R. E. SMITH 4311 TYLERSVILLE RD. HAMILTON, OHIO 45011
	CHKD. BY RES	DWG. NO. RSFR2BR	REV. A