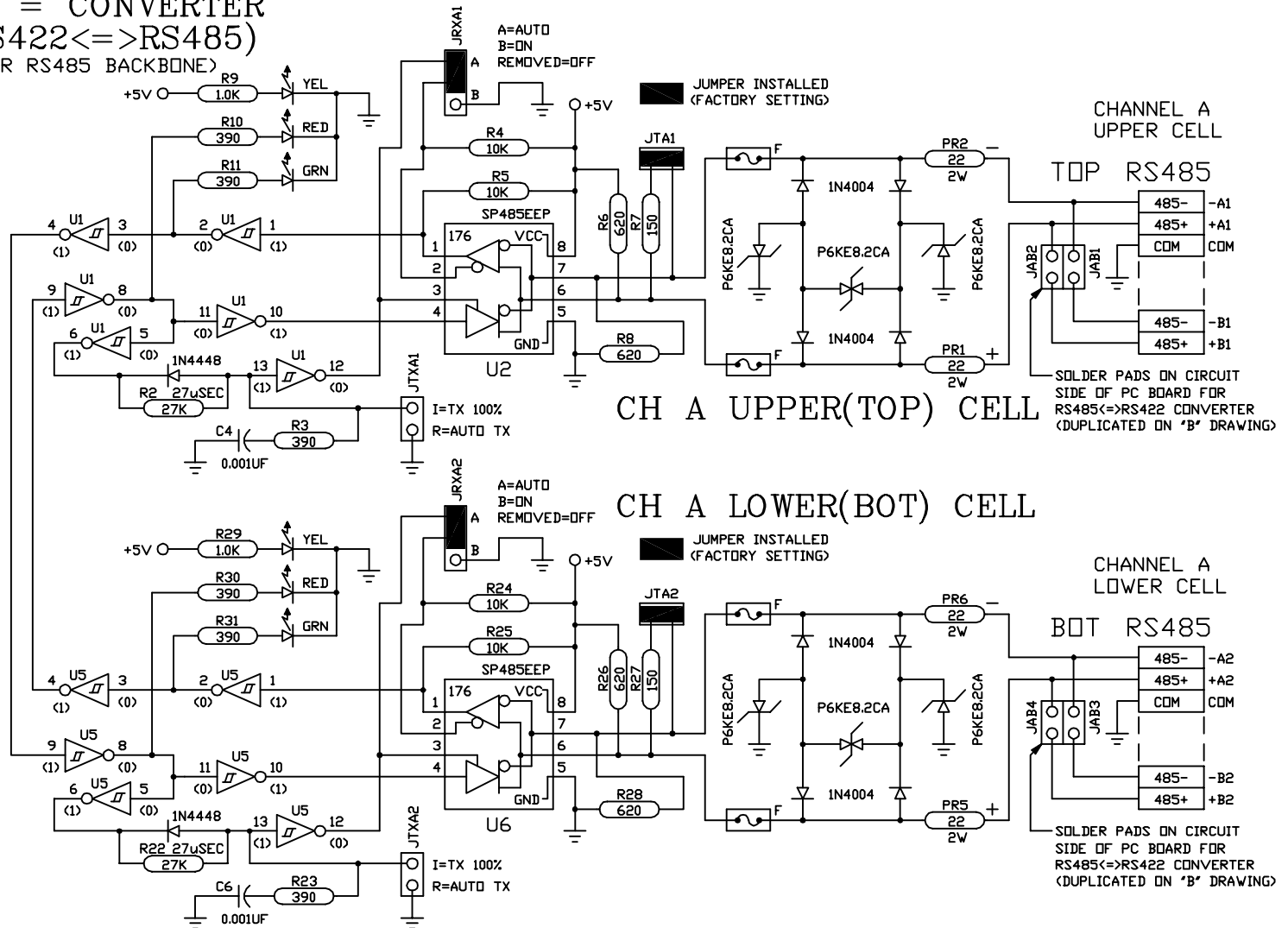
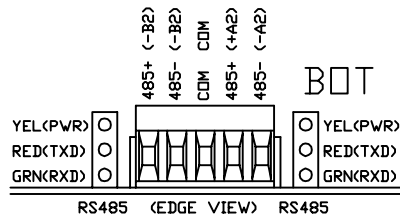
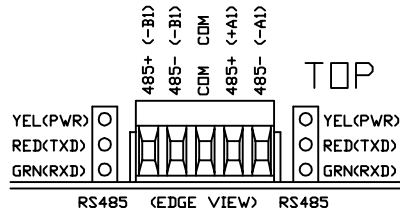
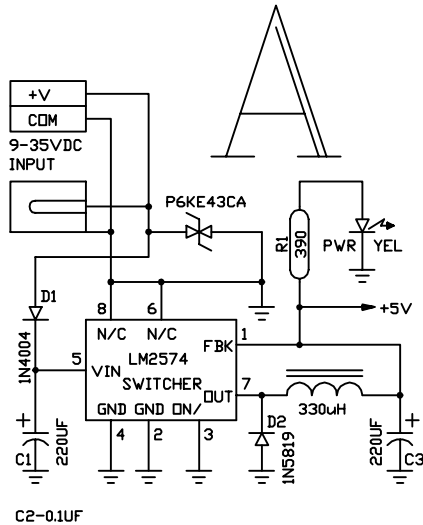


-R = REPEATER  
(RS422<=>RS422)  
or DUAL  
(RS485<=>RS485)

-C = CONVERTER  
(RS422<=>RS485)  
(FOR RS485 BACKBONE)



DUAL AUTOMATIC REPEATER-CONVERTER with TRANSIENT PROTECTION  
BUFFERED REPEATER SUPPRESSOR EXTENDER UP TO 230.4KBPS  
RS422<=>RS422 or DUAL RS484<=>RS485 or RS485<=>RS422

LINK: [rs485.com/pdarc44.html](http://rs485.com/pdarc44.html)

**RE**smith  
WWW.RS485.COM  
10330 CHESTER ROAD, CINCINNATI, OHIO 45215  
513-874-4796

MODEL REV. A  
DARC44

This drawing is the property of R. E. SMITH and shall not be used except with the written permission of R. E. SMITH, no copies shall be made of it and all proprietary rights in the matter contained in this drawing are the property of R. E. SMITH. COPYRIGHT - R. E. SMITH, 1999-2014		DRAWN BY RES	SUBJECT DUAL AUTO REP/CONV
		DATE 7-16-13	FOR TRANSIENT PROTECTED
		SCALE NONE	
SHEET 1 OF 1	DARC44A	CHKD. BY RES	RES R. E. SMITH 10330 CHESTER ROAD CINCINNATI, OHIO 45215
			DWG. NO. DARC44A
			REV. A