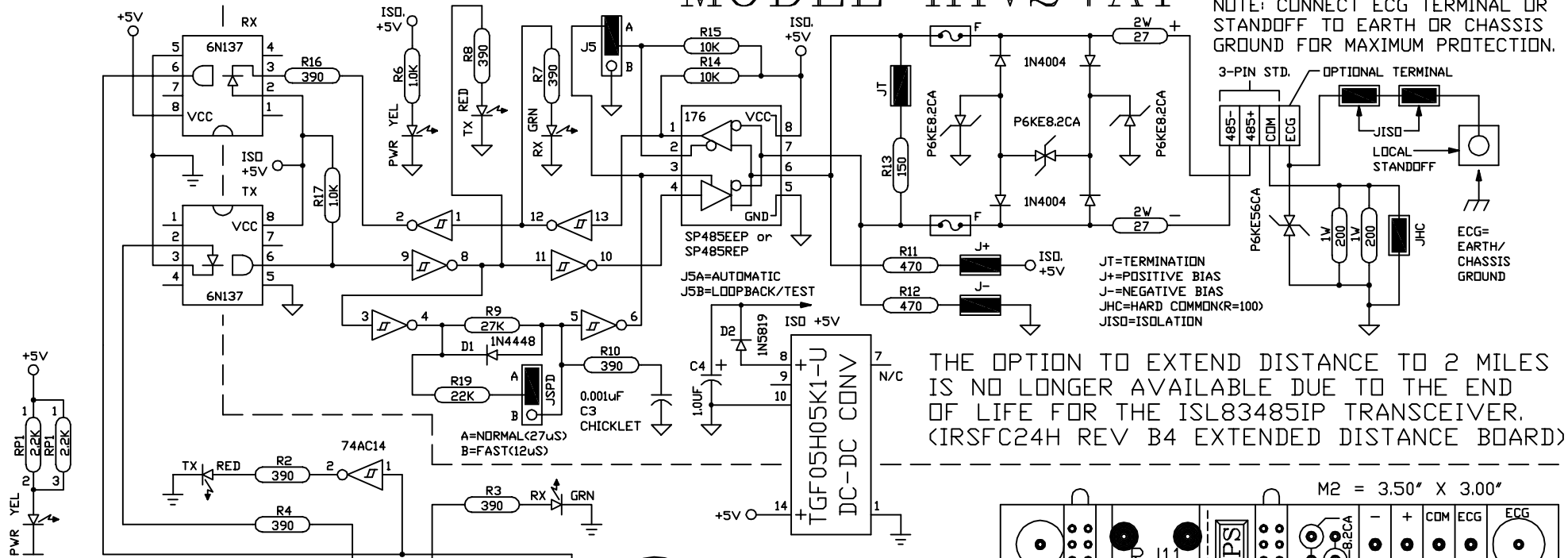
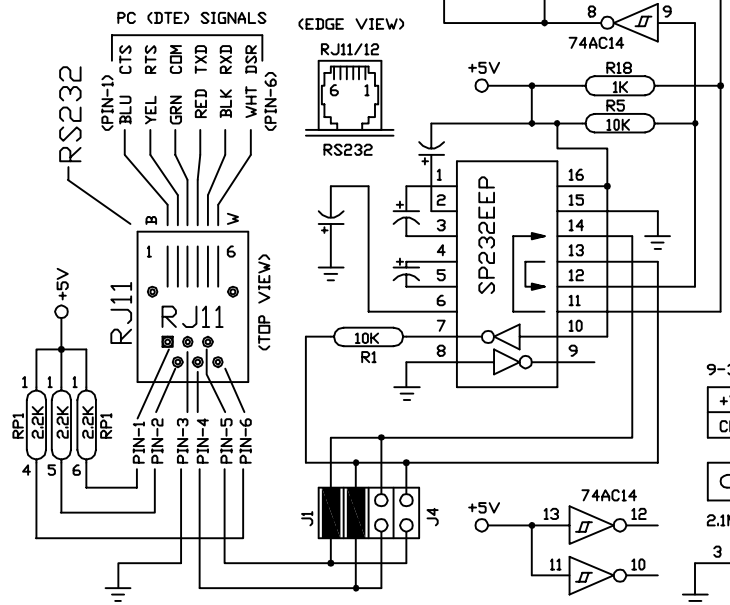


# 3.0KV ISOLATED RS485 MODEL IHV24AT REV. A2

NOTE: CONNECT ECG TERMINAL OR STANDOFF TO EARTH OR CHASSIS GROUND FOR MAXIMUM PROTECTION.

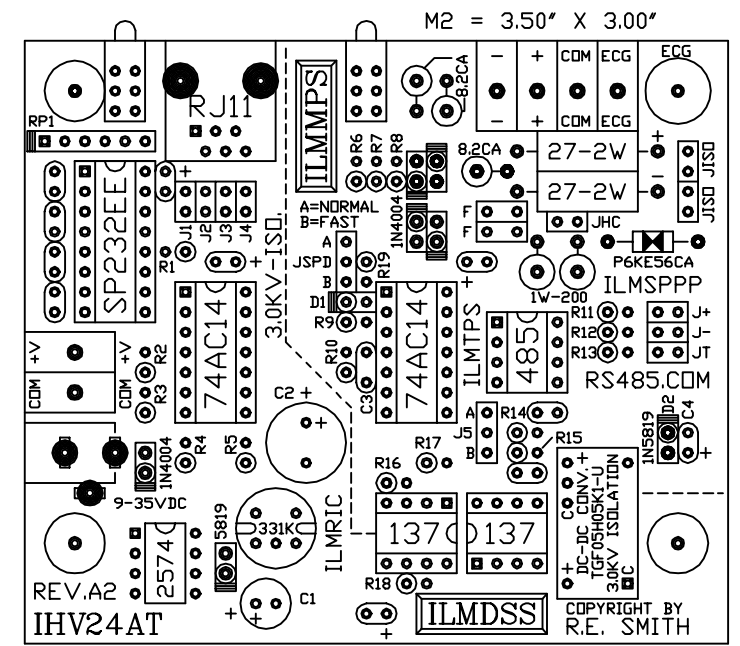
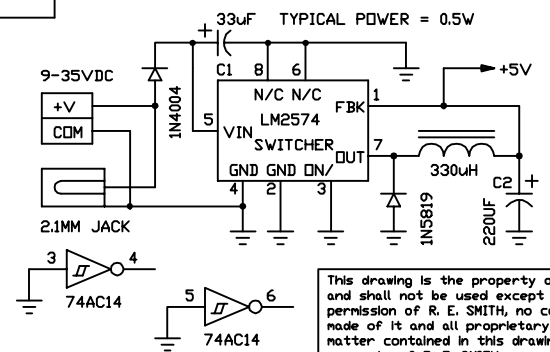


THE OPTION TO EXTEND DISTANCE TO 2 MILES IS NO LONGER AVAILABLE DUE TO THE END OF LIFE FOR THE ISL83485IP TRANSCEIVER. (IRSFC24H REV B4 EXTENDED DISTANCE BOARD)



**RESmith**  
[www.rs485.com](http://www.rs485.com)  
 10330 CHESTER ROAD, CINCINNATI, OHIO 45215  
 513-874-4796

[www.rs485.com](http://www.rs485.com)



LINK: [rs485.com/ihv24at.html](http://rs485.com/ihv24at.html)

JUMPER INSTALLED (FACTORY SETTING)

NOTE: INSTALL J1-J2 FOR DB9F CABLE  
 INSTALL J3-J4 FOR DB9M CABLE

This drawing is the property of R. E. SMITH and shall not be used except with the written permission of R. E. SMITH. No copies shall be made of it and all proprietary rights in the matter contained in this drawing are the property of R. E. SMITH. COPYRIGHT - R. E. SMITH, 2002-2013		DRAWN BY RES	SUBJECT
DATE 1-14-06 REV 9-14-13	FOR	RS232/RS485	
SCALE NONE	3000VDC ISOLATED		
SHEET 1 OF 1	IHV24AT	CHKD. BY RES	REV. A2
RES 10330 CHESTER ROAD CINCINNATI, OH 45215		DWG. NO.	IHV24AT