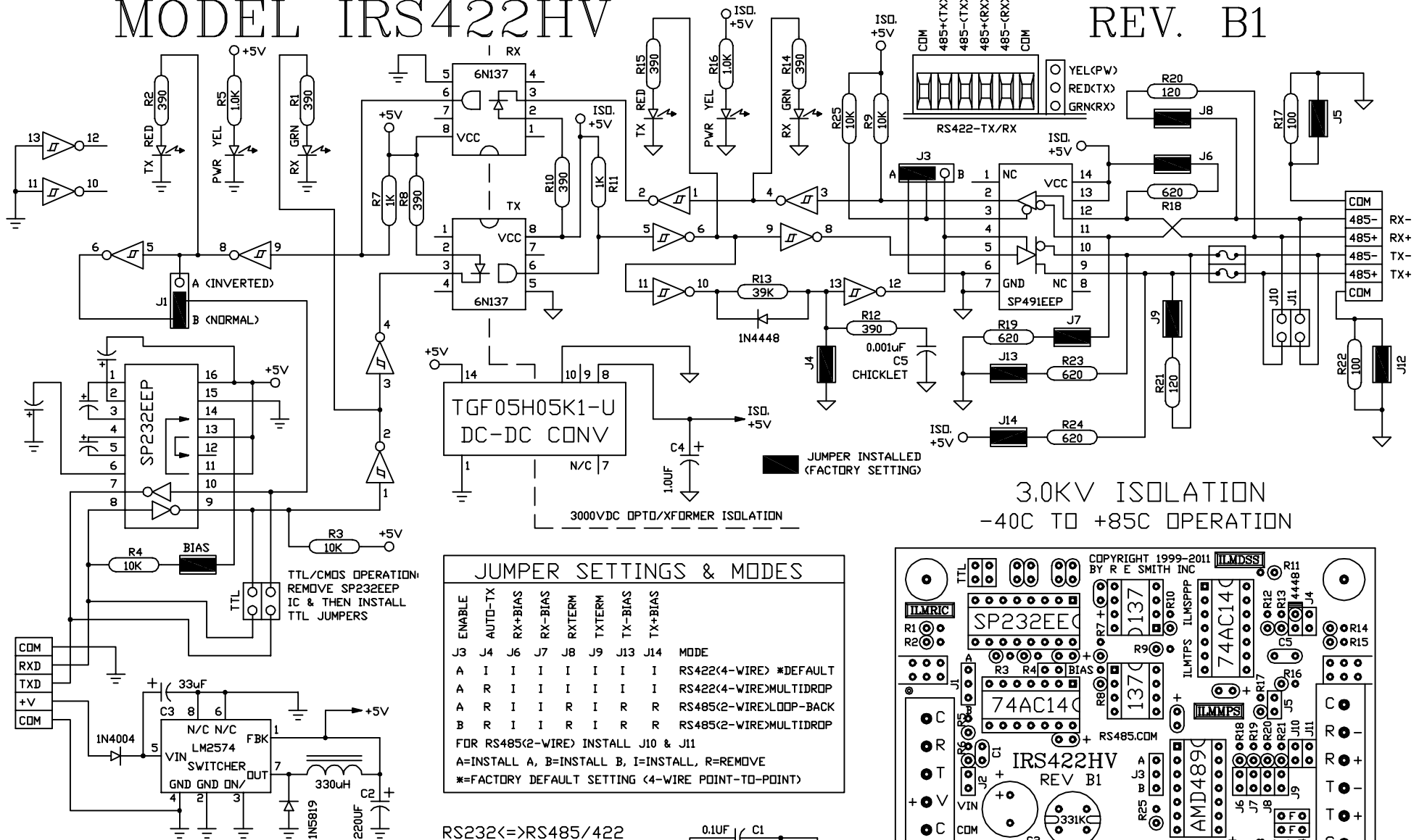


# MODEL IRS422HV

REV. B1

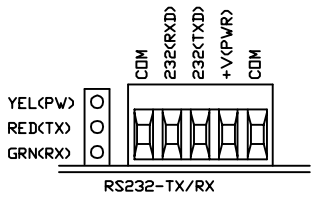
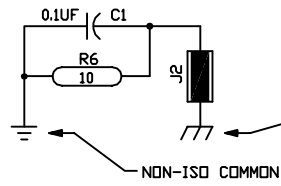
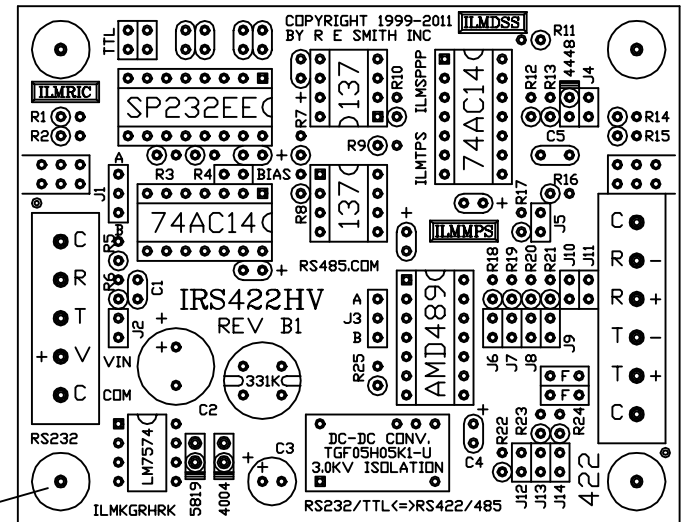


3.0KV ISOLATION  
-40C TO +85C OPERATION

JUMPER SETTINGS & MODES									
ENABLE	AUTO-TX	RX+BIAS	RX-BIAS	RXTERM	TXTERM	TX-BIAS	TX+BIAS	MODE	
J3	J4	J6	J7	J8	J9	J13	J14	MODE	
A	I	I	I	I	I	I	I	RS422(4-WIRE) *DEFAULT	
A	R	I	I	I	I	I	I	RS422(4-WIRE)MULTIDROP	
A	R	I	I	R	I	R	R	RS485(2-WIRE)LOOP-BACK	
B	R	I	I	R	I	R	R	RS485(2-WIRE)MULTIDROP	

FOR RS485(2-WIRE) INSTALL J10 & J11  
A=INSTALL A, B=INSTALL B, I=INSTALL, R=REMOVE  
\*=FACTORY DEFAULT SETTING (4-WIRE POINT-TO-POINT)

RS232<=>RS485/422  
AUTO TX ENABLE



**RES**Smith  
WWW.RS485.COM  
10330 CHESTER ROAD, CINCINNATI, OHIO 45215  
513-874-4796

This drawing is the property of R. E. SMITH and shall not be used except with the written permission of R. E. SMITH, no copies shall be made of it and all proprietary rights in the matter contained in this drawing are the property of R. E. SMITH. COPYRIGHT - R. E. SMITH, 2000-2013		DRAWN BY RES	SUBJECT "AUTO" RS232/RS422	
SHEET 1 OF 1		DATE 12-5-04 REVISED 9-19-13	FOR ISOLATED 2/4-WIRE	
IRS422HV		SCALE NONE	RES R. E. SMITH 10330 CHESTER ROAD CINCINNATI, OH 45215	
		CHKD. BY RES	DVG. NO. IRS422HV	
			REV. B1	

LINK: [rs485.com/pirs422hv.html](http://rs485.com/pirs422hv.html)