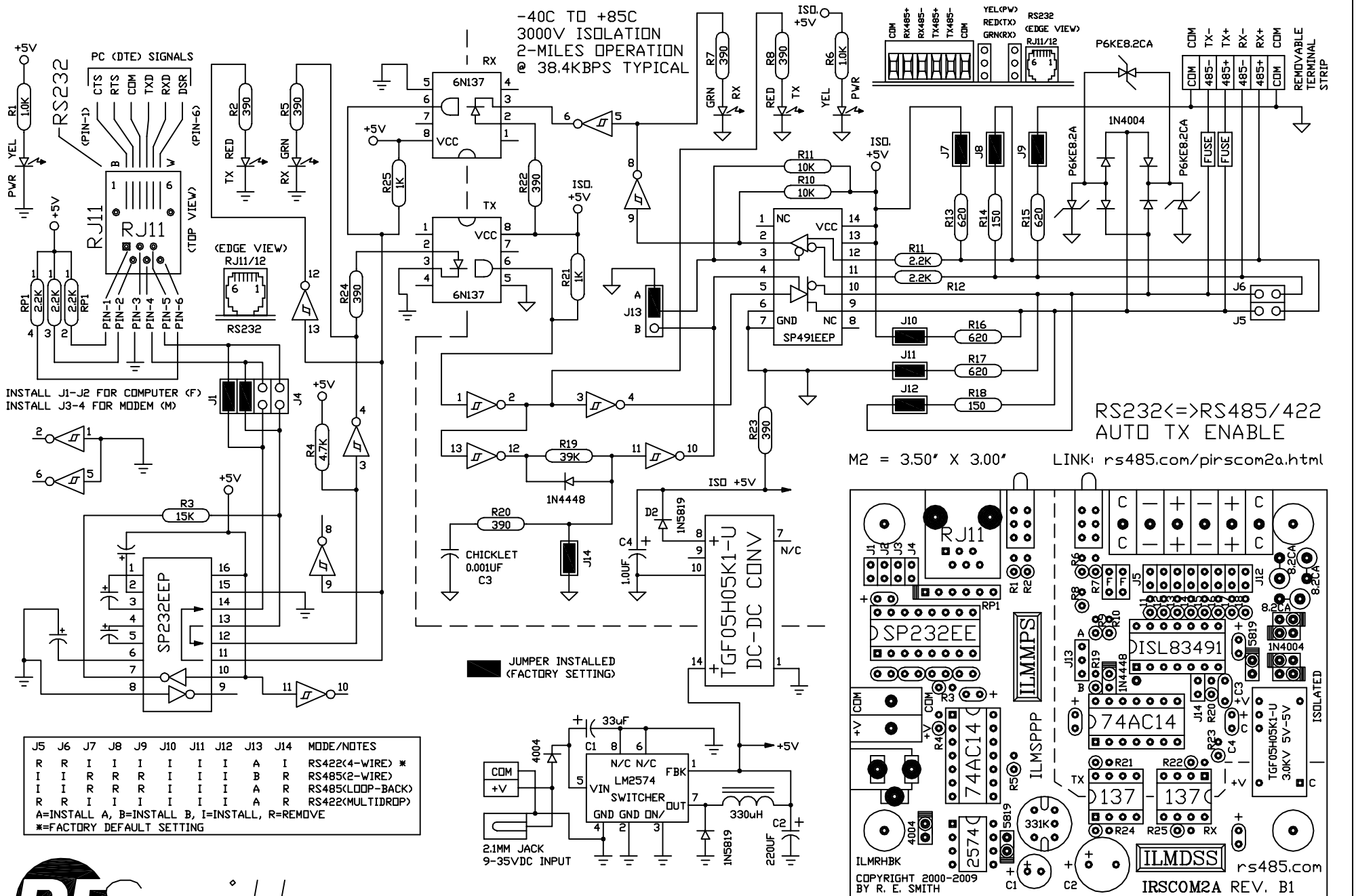


-40C TO +85C
3000V ISOLATION
2-MILES OPERATION
@ 38.4KBPS TYPICAL



J5	J6	J7	J8	J9	J10	J11	J12	J13	J14	MODE/NOTES
R	R	I	I	I	I	I	I	A	I	RS422(4-WIRE) *
I	I	R	R	R	I	I	I	B	R	RS485(2-WIRE)
I	I	R	R	R	I	I	I	A	R	RS485(LOOP-BACK)
R	R	I	I	I	I	I	I	A	R	RS422(MULTIDROP)
A=INSTALL A, B=INSTALL B, I=INSTALL, R=REMOVE										
*=FACTORY DEFAULT SETTING										

RESsmith
www.rs485.com
10330 CHESTER ROAD, CINCINNATI, OHIO 45215
513-874-4796

MODEL REV B1
IRSCOM2A

This drawing is the property of R. E. SMITH and shall not be used except with the written permission of R. E. SMITH. No copies shall be made of it and all proprietary rights in the matter contained in this drawing are the property of R. E. SMITH.
COPYRIGHT - R. E. SMITH, 2000-2013

DRAWN BY RES
DATE 11-14-08
REV 9-19-13
SCALE NONE

SUBJECT "AUTO" RS232/RS485
FOR ISOLATED 2/4-WIRE

SHEET 1 OF 1

IRSCOM2A

CHKD. BY RES

RES R. E. SMITH
10330 CHESTER ROAD
CINCINNATI, OH 45215

DWG. NO. IRSCOM2A
REV. B1