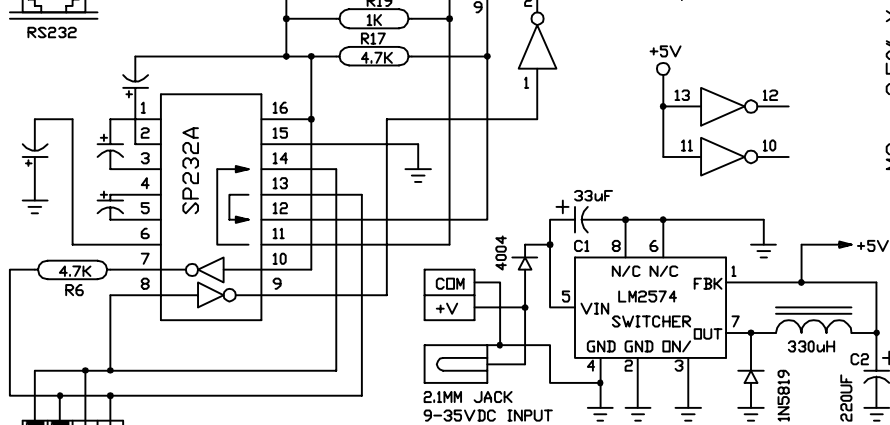
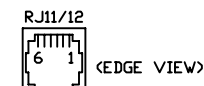
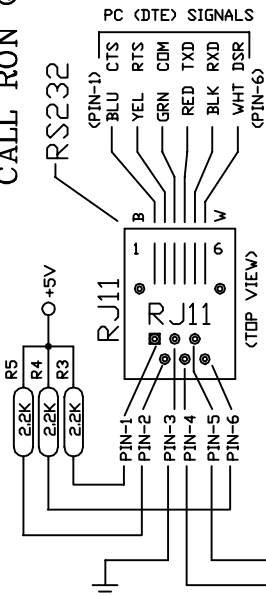
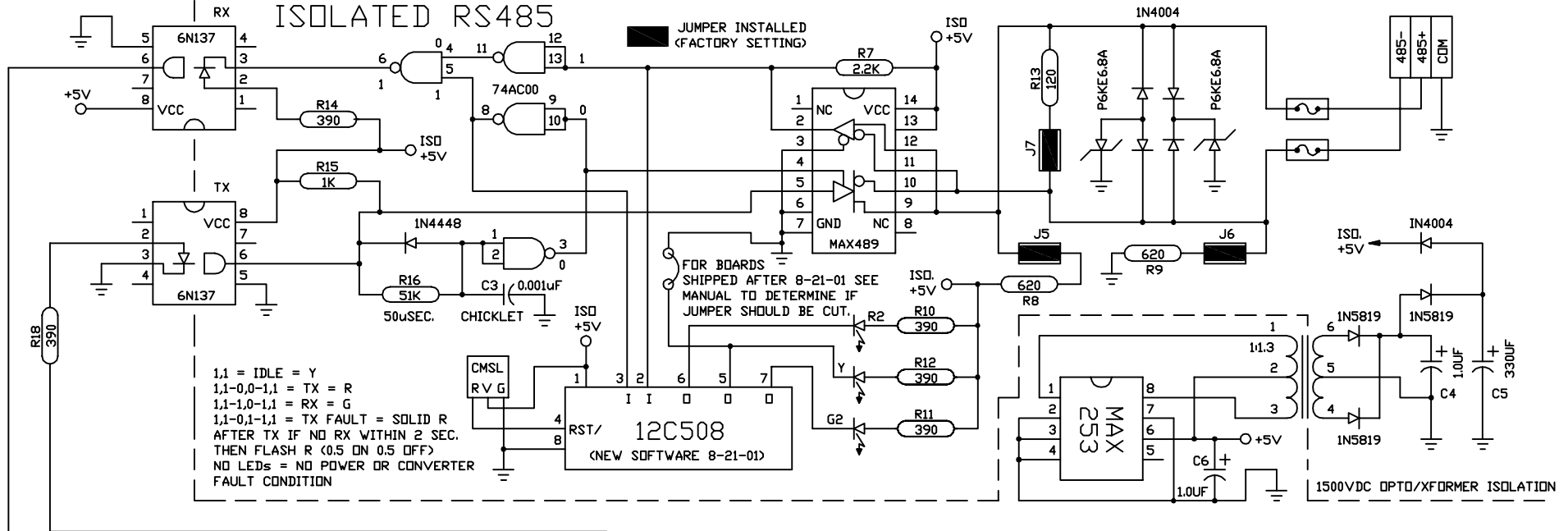


REPLACED BY IHV24AT MODEL IRSFC24T Rev B

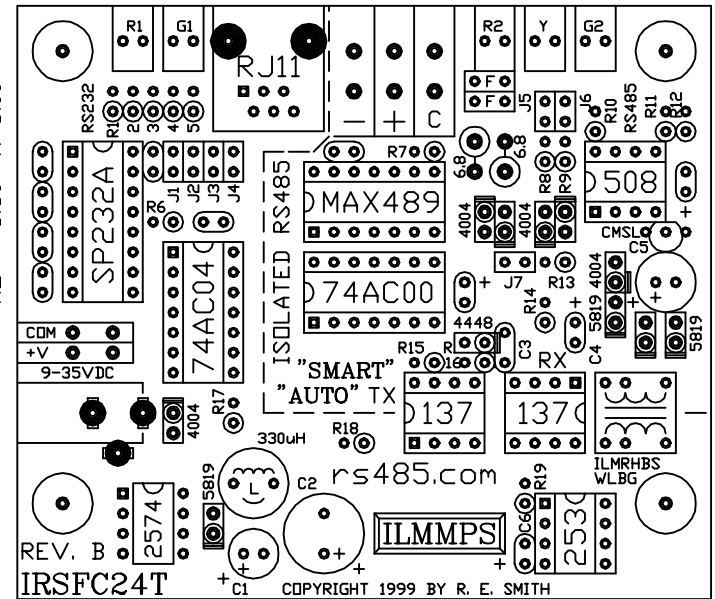
RS485

ISOLATED RS485

CALL RON @ 513-638-0228 FOR ADDITIONAL INFO.



M2 = 3.50" X 3.00"



R. E. SMITH Inc.
10330 CHESTER ROAD
CINCINNATI, OHIO 45215
(513) 874-4796

www.rs485.com

IMPORTANT NOTE:
SEE MANUAL FOR MODE OF
OPERATION JUMPER INFO.

This drawing is the property of R. E. SMITH and shall not be used except with the written permission of R. E. SMITH. No copies shall be made of it and all proprietary rights in the matter contained in this drawing are the property of R. E. SMITH.
COPYRIGHT - R. E. SMITH, 1999-2014

DRAWN BY RES	SUBJECT "AUTO" RS232/RS485
DATE 6-6-99 (REV 8-21-01)	FOR 1500VDC ISOLATED
SCALE NONE	
SHEET 1 OF 1	CHKD. BY RES
IRSFC24T	RES R. E. SMITH 10330 CHESTER ROAD CINCINNATI, OH 45215
	DWG. NO. IRSFC24T
	REV. B

LINK: rs485.com/pirsfc24t.html