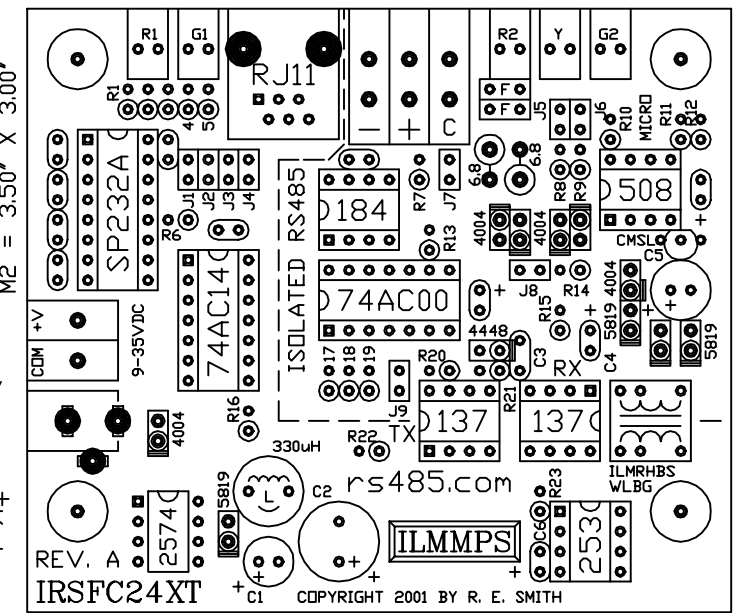
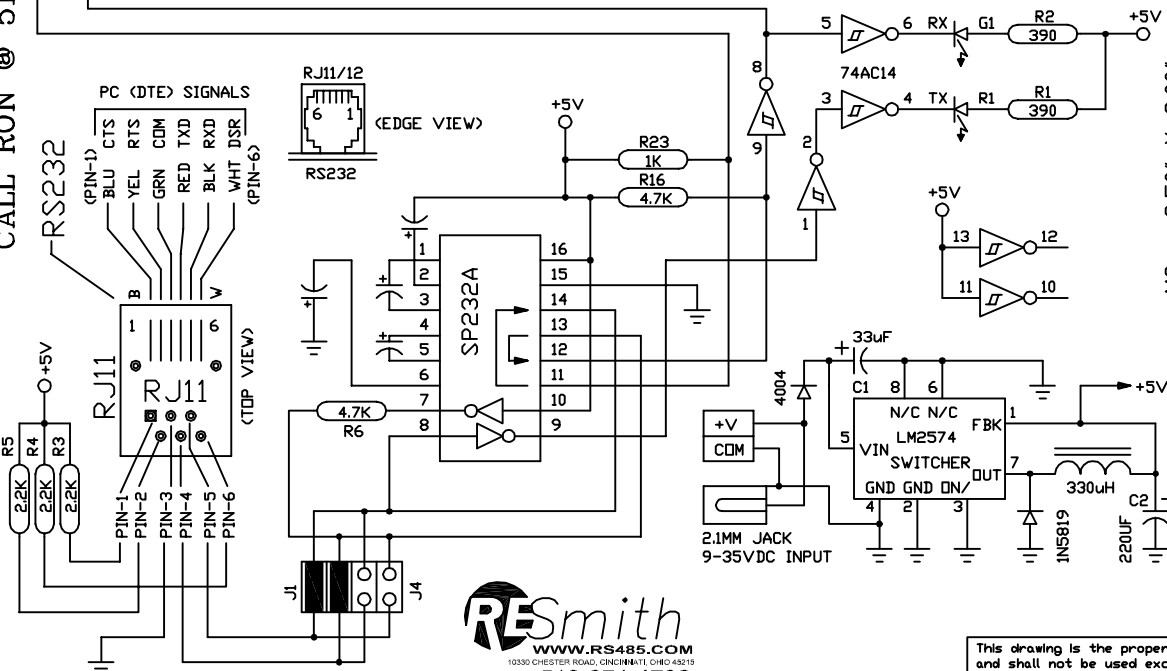
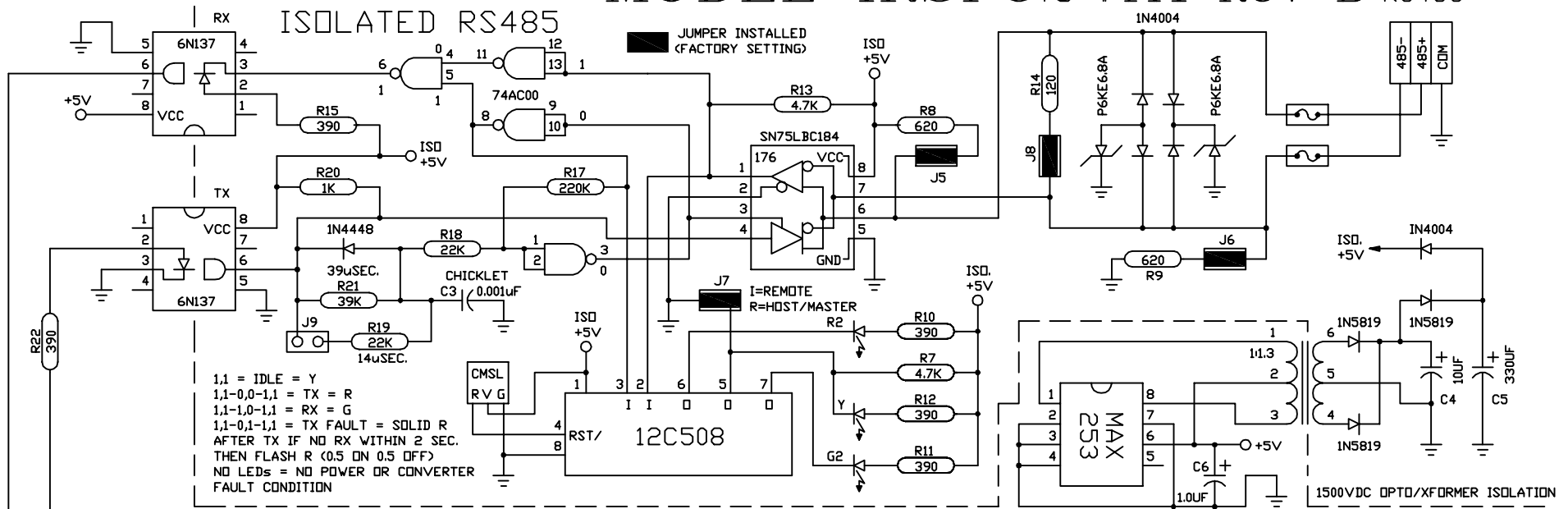


REPLACED BY IHV24AT MODEL IRSFC24XT Rev B RS485

CALL RON @ 513-638-0228 FOR ADDITIONAL INFO.



LINK: rs485.com/pirsf24t.html

NEW FEATURES: DUAL TRANSIENT PROTECTION, SCHMITT TRIGGER TIMING, SPEED-UP JUMPER, JUMPER SELECTABLE MASTER/REMOTE SOFTWARE, AND SCREW TERMINAL POWER CONNECTION.

www.rs485.com

This drawing is the property of R. E. SMITH and shall not be used except with the written permission of R. E. SMITH, no copies shall be made of it and all proprietary rights in the matter contained in this drawing are the property of R. E. SMITH. COPYRIGHT - R. E. SMITH, 2001-2014		DRAWN BY RES	SUBJECT "AUTO" RS232/RS485
SHEET 1 OF 1		DATE 7-21-01 REV 11-4-13	FOR 1500VDC ISOLATED
IRSFC24XT		SCALE NONE	RES R. E. SMITH 10330 CHESTER ROAD CINCINNATI, OH 45251
CHKD. BY RES		DWG. NO. IRSFC24XT	REV. B