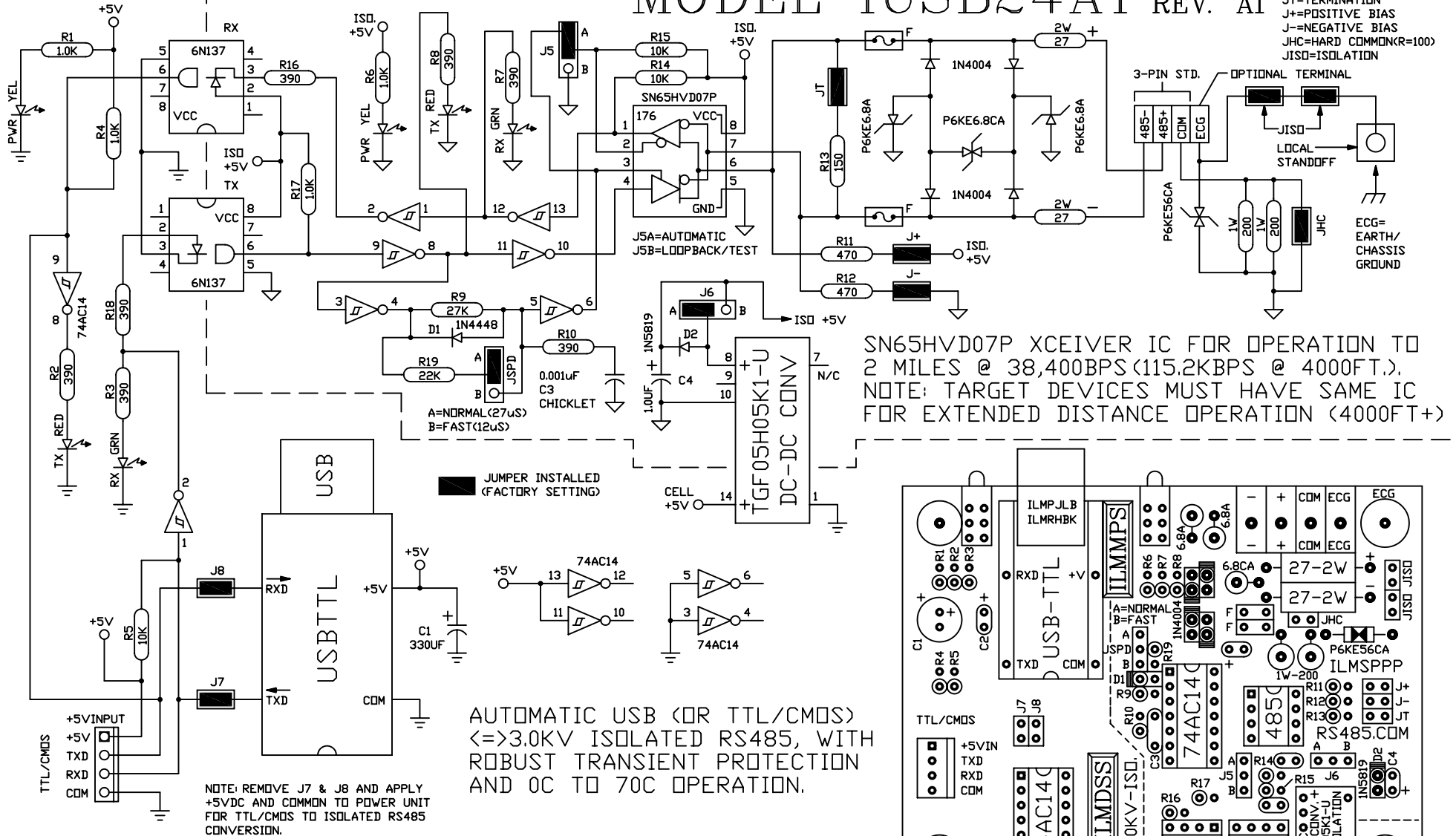
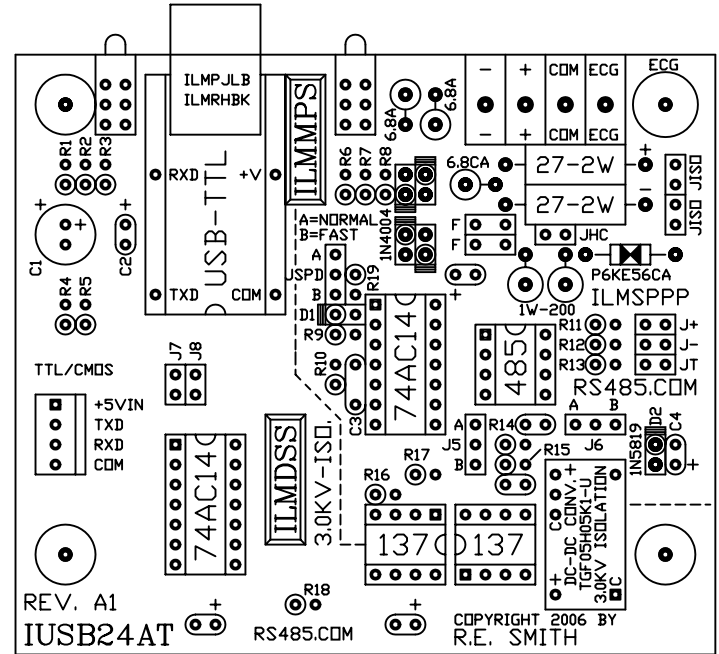


3.0KV ISOLATED RS485 MODEL IUSB24AT REV. A1

JT=TERMINATION
 J+=POSITIVE BIAS
 J-=NEGATIVE BIAS
 JHC=HARD COMMON(R=100)
 JISO=ISOLATION



SN65HVD07P XCEIVER IC FOR OPERATION TO 2 MILES @ 38,400BPS (115.2KBPS @ 4000FT.), NOTE: TARGET DEVICES MUST HAVE SAME IC FOR EXTENDED DISTANCE OPERATION (4000FT+)



RESmith
 WWW.RS485.COM
 4311 R. E. Smith Drive, West Chester, Ohio 45069
 513-874-4796

This drawing is the property of R. E. SMITH and shall not be used except with the written permission of R. E. SMITH, no copies shall be made of it and all proprietary rights in the matter contained in this drawing are the property of R. E. SMITH. COPYRIGHT - R. E. SMITH, 2002-2006		DRAWN BY RES	SUBJECT USB<=>ISO RS485
DATE 3-27-06		SCALE NONE	FOR 3000VDC ISOLATED
SHEET 1 OF 1		CHKD. BY RES	RES R. E. SMITH 4311 R. E. SMITH DR. HAMILTON, OHIO 45011
IUSB24AT		DWG. NO. IUSB24AT REV. A1	