

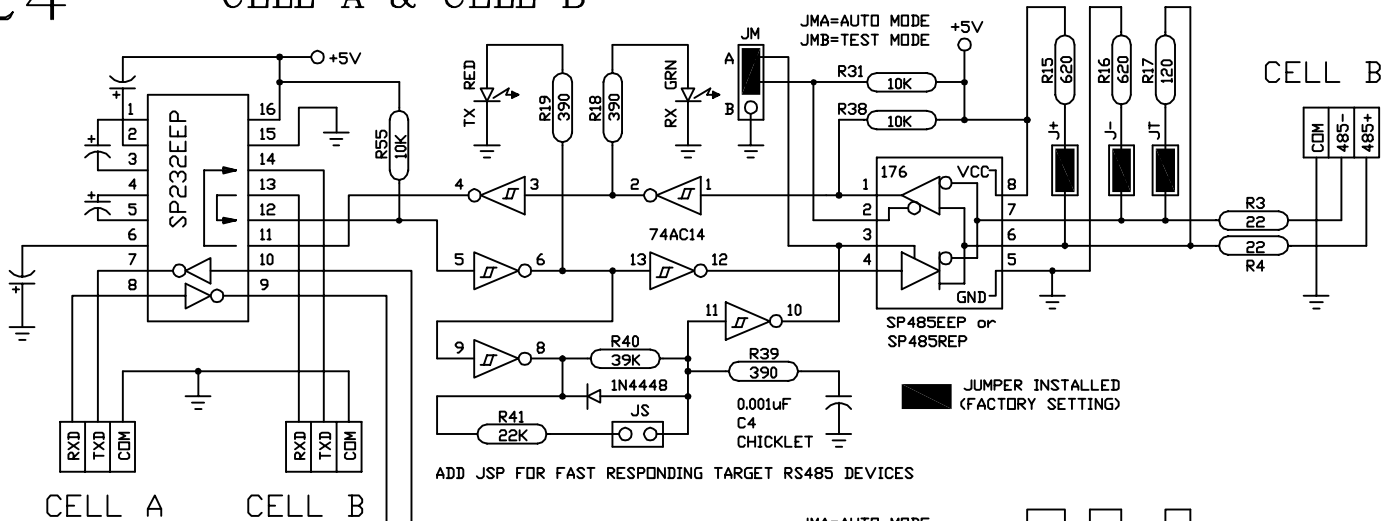
# MODEL QASC24

REV. A

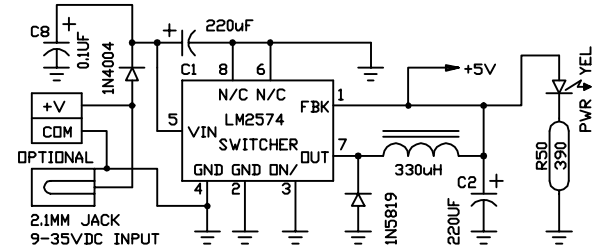
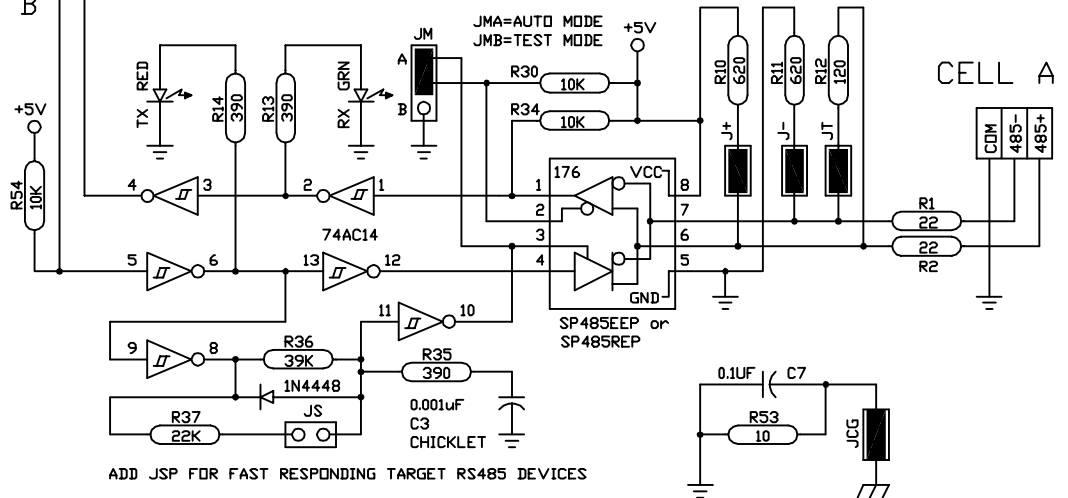
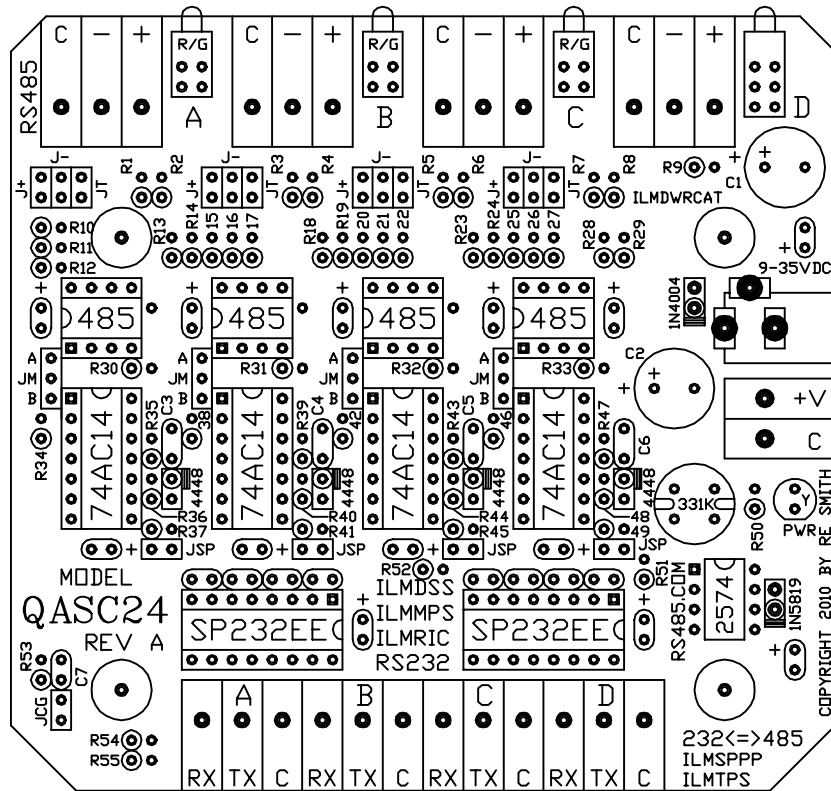
QUAD RS232<=>RS485  
AUTOMATIC CONVERTERS

**RES**Smith  
WWW.RS485.COM  
10330 CHESTER ROAD, CINCINNATI, OHIO 45215  
513-874-4796

## CELL A & CELL B



M8 = 4.10" X 3.85" (ACTUAL SIZE 1:1)



LINK: [rs485.com/qasc24.html](http://rs485.com/qasc24.html)

This drawing is the property of R. E. SMITH and shall not be used except with the written permission of R. E. SMITH. No copies shall be made of it and all proprietary rights in the matter contained in this drawing are the property of R. E. SMITH. COPYRIGHT - R. E. SMITH, 2000-2013		DRAWN BY RES	SUBJECT RS232<=>RS485	
		DATE 1-14-10 REV 9-16-13	FOR QUAD AUTO CONV.	
		SCALE NONE	RES R. E. SMITH 10330 CHESTER ROAD CINCINNATI, OH 45215	
SHEET 1 OF 1	QASC24AB	CHKD. BY RES	DWG. NO. QASC24AB	REV. A