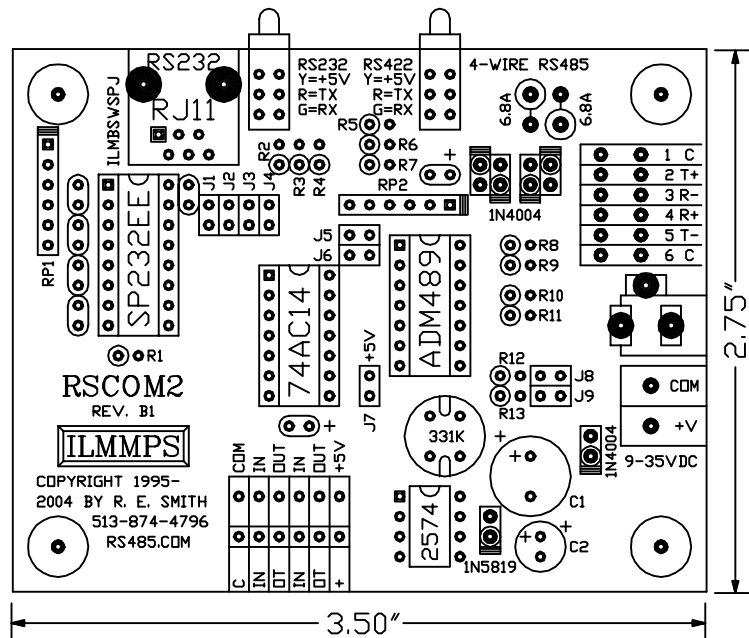


M1 = 3.50" X 2.75" (ACTUAL SIZE)



MOUNTING HOLES 3.00" X 2.75"

LINK: rs485.com/prscom2.html

MODEL RSCOM2 REV. B1

RS232<=>RS422(with TTL/CMOS I/O)



This drawing is the property of R. E. SMITH and shall not be used except with the written permission of R. E. SMITH, no copies shall be made of it and all proprietary rights in the matter contained in this drawing are the property of R. E. SMITH. COPYRIGHT - R. E. SMITH, 1995 - 2013		DRAWN BY RES	SUBJECT RS232/RS485/TTL
SHEET 1 OF 1		DATE 6-14-04 REV 9-19-13	FOR COMM CONVERSION
RSCOM2		SCALE NONE	RES R. E. SMITH 10330 CHESTER ROAD CINCINNATI, OH 45215
CHKD. BY RES		DWG. NO. RSCOM2	REV. B1