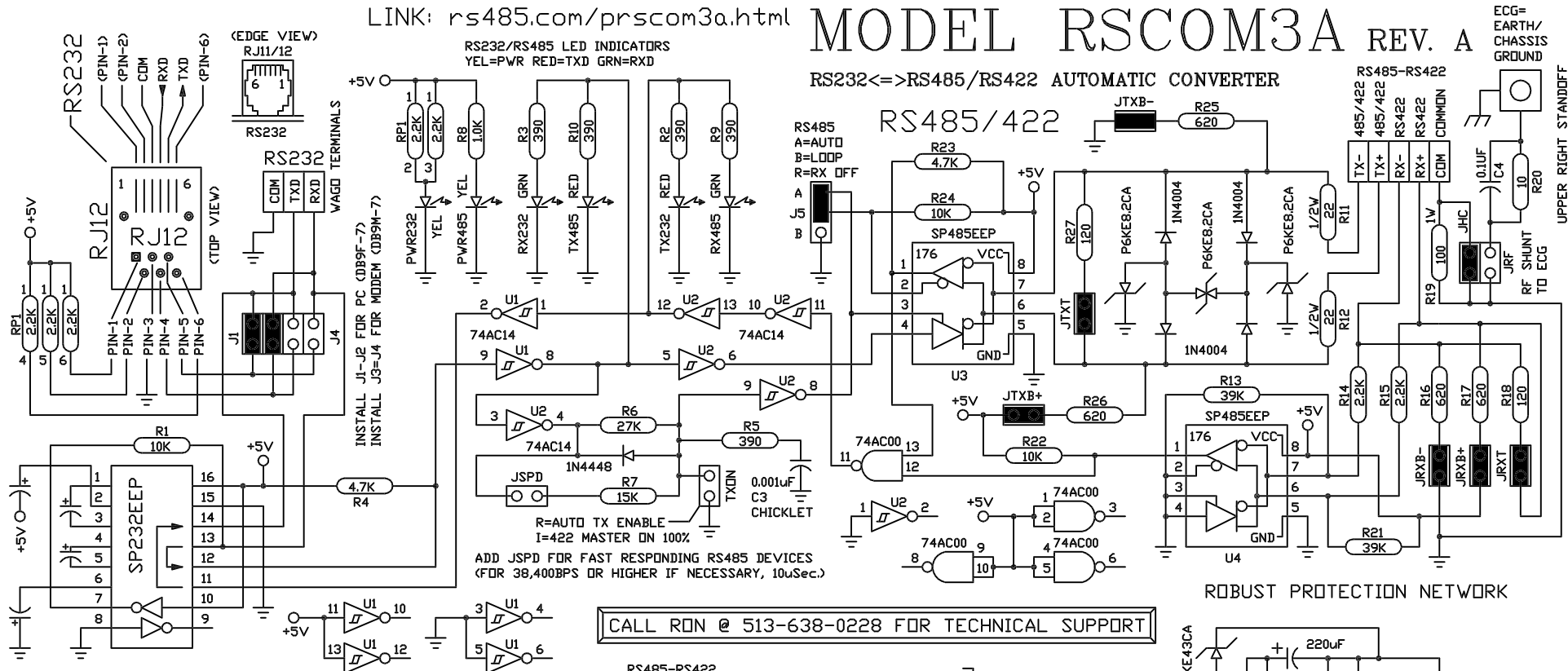


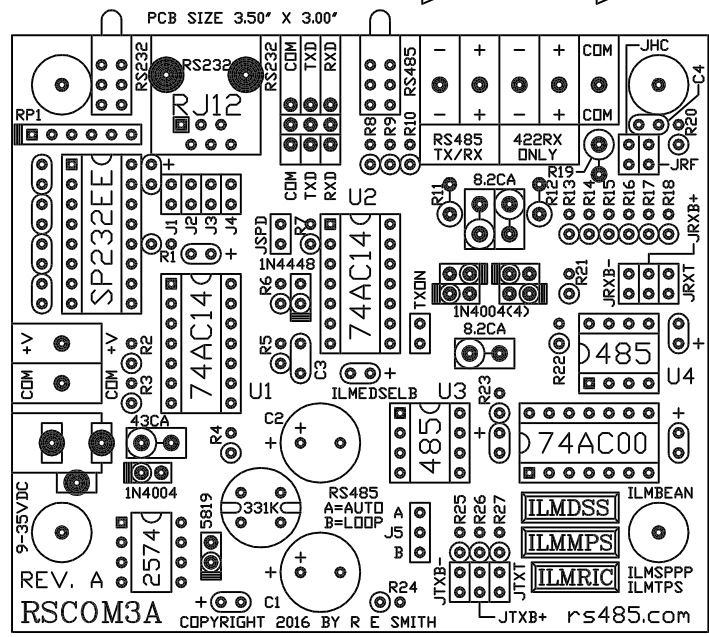
LINK: rs485.com/prscom3a.html

MODEL RSCOM3A REV. A

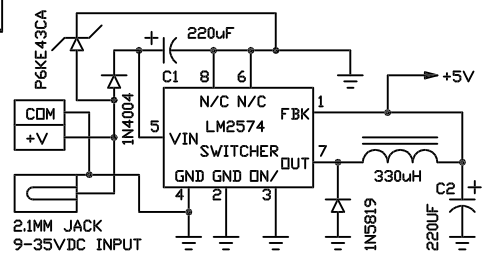
RS232<=>RS485/RS422 AUTOMATIC CONVERTER



CALL RON @ 513-638-0228 FOR TECHNICAL SUPPORT



ROBUST PROTECTION NETWORK



- RS485-RS422
- #5 TX- FOR RS485(4-WIRE)/RS422 RS485 TX/RX
 - #4 TX+ FOR RS485(4-WIRE)/RS422 RS422 TX ONLY
 - #3 RX- FOR RS485(4-WIRE)/RS422 RS485 4-WIRE RX
 - #2 RX+ FOR RS485(4-WIRE)/RS422 RS422 RX ONLY
 - #1 COMMON (I=JHC HARD COM, R=JHC 100-OHMS COM) (IF COMMON IS USED, RECOMMEND REMOVE JHC) (I=INSTALL, R=REMOVE)

JUMPER MODE SELECTIONS AND TERMINAL WIRE CONNECTIONS							
TXDIN	J5	JTXB-	JTXB+	JRXT	WIRE TO TERM#	OPTIONAL CDM#1	MODE/NOTES
R	A	I	I	I	5,4,3,2	RS422	RS422(MULTIDROP, AUTOMATIC)*
I	A	I	I	I	5,4,3,2	RS422	RS422(MASTER, TX=100% DN)
R	A	I	I	I	3,2	RS485	RS485(2-WIRE, HALF-DUPLEX)
R	A	I	I	I	3,2	RS485	RS485(LOOP-BACK, RX=100% DN)

A=INSTALL A, B=INSTALL B I=INSTALL, R=REMOVE
 *=FACTORY DEFAULT SETTING J5 IN 'A' POSITION = AUTOMATIC

REMOVE JTXT AND/OR JRXT AS NECESSARY FOR NO TERMINATION
 LIMIT BIAS- & BIAS+ TO 3 LOCATIONS FOR EACH TWISTED WIRE PAIR
 DEFAULT SETTINGS (AUTOMATIC)* SHOULD WORK FOR MOST APPLICATIONS

CONVERTER ONLY \$79.00ea.
 WITH ENCLOSURE \$89.00ea.

RESmith
 WWW.RS485.COM
 10330 CHESTER ROAD, CINCINNATI, OHIO 45215
 513-874-4796

This drawing is the property of R. E. SMITH and shall not be used except with the written permission of R. E. SMITH, no copies shall be made of it and all proprietary rights in the matter contained in this drawing are the property of R. E. SMITH. COPYRIGHT - R. E. SMITH, 1997-2017		DRAWN BY RES	SUBJECT MODEL RSCOM3A
DATE 6-14-16 REV 3-18-2017		FOR RS232<=>RS485/422	
SCALE NONE		RES R. E. SMITH 10330 CHESTER ROAD CINCINNATI, OH 45215	DWG. NO. RSCOM3A
SHEET 1 OF 1	RSCOM3A	CHKD. BY RES	REV. A