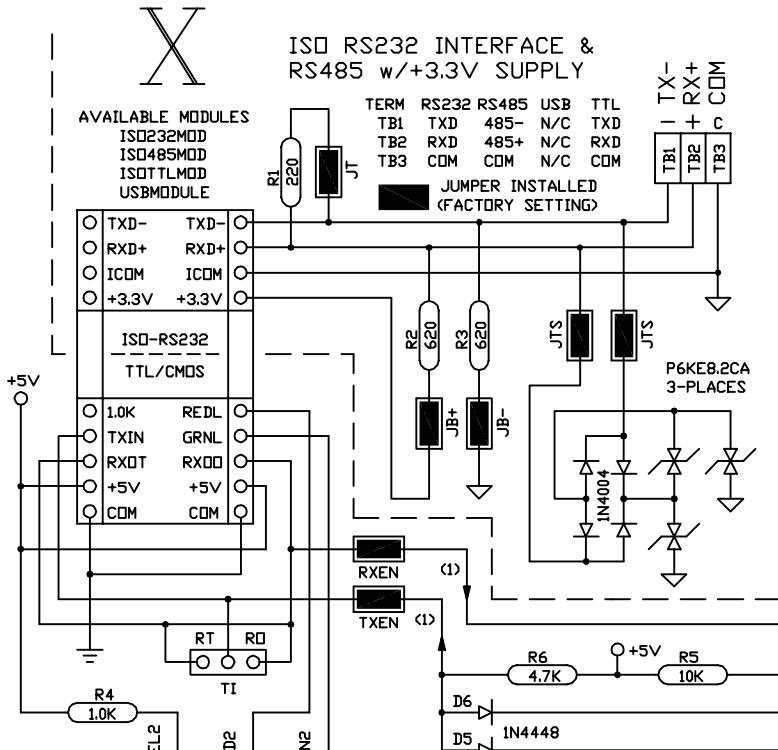


MODEL SMFCOMX REV A (HALF-DUPLEX ONLY*)

*2 MODULE FULL-DUPLEX IS POSSIBLE; HOWEVER, 3 MODULES = HALF-DUPLEX ONLY.

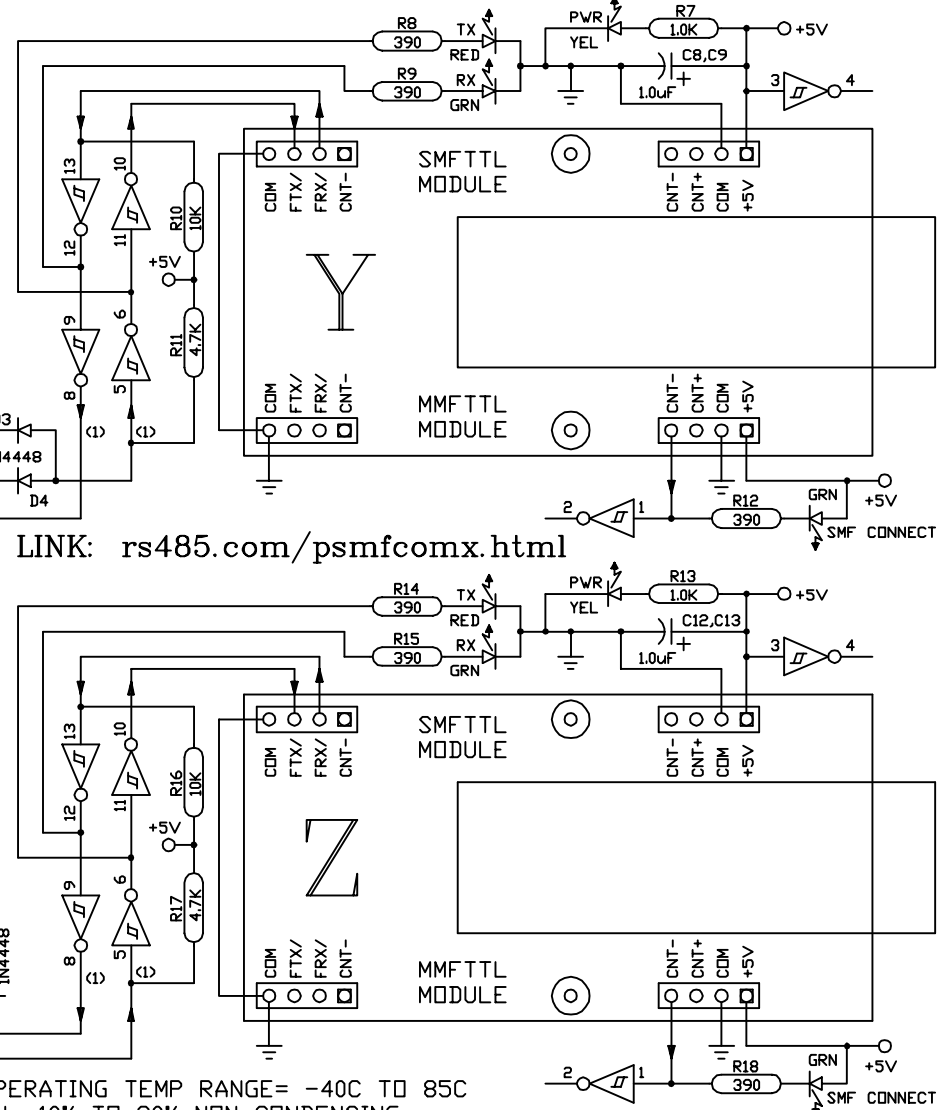
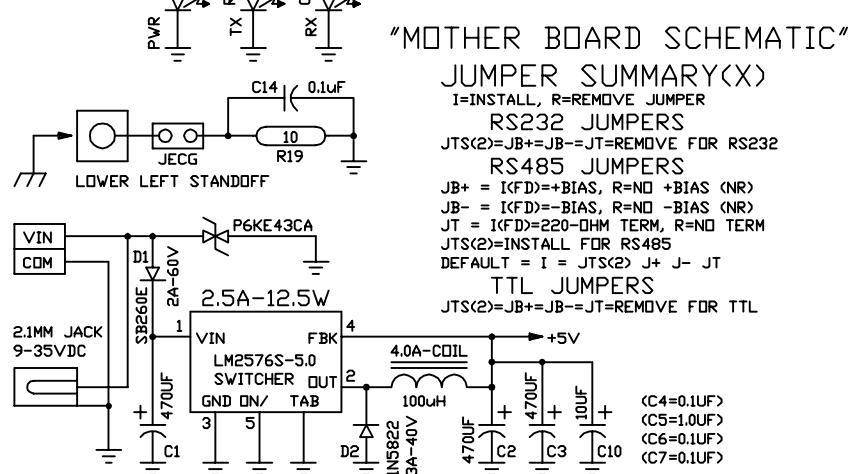
SMFCOMX-IS0232MOD MULTI-MODE FIBER<=>2.0KV ISOLATED RS232 UP TO 460.8KBPS
 SMFCOMX-IS0485MOD MULTI-MODE FIBER<=>2.5KV ISOLATED RS485 UP TO 921.6KBPS
 SMFCOMX-IS0TTLMOD MULTI-MODE FIBER<=>2.5KV ISOLATED TTL/CMOS UP TO 921.6KBPS
 SMFCOMX-USBMODULE MULTI-MODE FIBER<=>NON-ISOLATED USB UP TO 921.6KBPS



A=13/15
B=15/13

A=13/15
TX=1310nM
RX=1550nM

B=15/13
TX=1550nM
RX=1310nM



OPERATING TEMP RANGE= -40C TO 85C
RH= 10% TO 90% NON-CONDENSING

FUTURE Y&Z MODULES FOR RS422, ETHERNET INTERFACE & EXTENDED DISTANCE RS485 ARE PLANNED

OTHER ITEMS
 OPTIONAL CONFORMAL COATING,
 ENCLOSURE, FIBER CABLES &
 12VDC@1A WALL POWER SUPPLY



This drawing is the property of R. E. SMITH and shall not be used except with the written permission of R. E. SMITH, no copies shall be made of it and all proprietary rights in the matter contained in this drawing are the property of R. E. SMITH. COPYRIGHT - R. E. SMITH, 2000-2014		DRAWN BY RES	SUBJECT FIBER<=>ISO. MODs	
DATE 11-19-12 REV 10-29-13		FOR	AUTO CONVERSION	
SCALE NONE		CHKD. BY RES	RES R. E. SMITH 10330 CHESTER ROAD CINCINNATI, OHIO 45215	
SHEET 1 OF 1	SMFCOMX		DWG. NO. SMFCOMX	REV. A