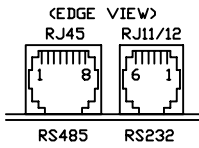
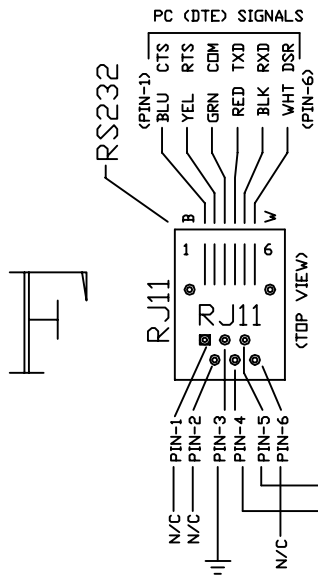
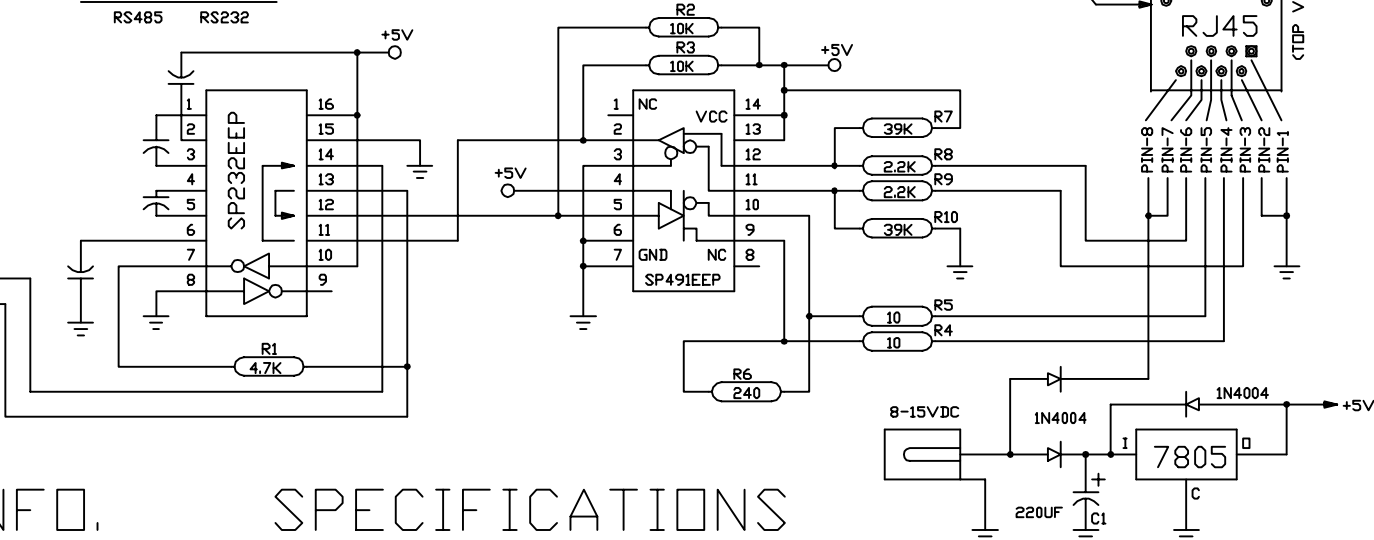


MODEL SSC232F USE CAT5 CABLE

(1/2 "RS232 EXTENSION CORD") FULL-DUPLEX



T568A PIN-OUT	T568B PIN-OUT
PIN-1 GRN/WHT	PIN-1 ORN/WHT
PIN-2 GRN(PR#3)	PIN-2 ORN(PR#2)
PIN-3 ORN/WHT	PIN-3 GRN/WHT
PIN-4 BLU(PR#1)	PIN-4 BLU(PR#1)
PIN-5 BLU/WHT	PIN-5 BLU/WHT
PIN-6 ORN(PR#2)	PIN-6 GRN(PR#3)
PIN-7 BRN/WHT	PIN-7 BRN/WHT
PIN-8 BRN(PR#4)	PIN-8 BRN(PR#4)
(PR#2+3 COLOR CHANGE)	



GENERAL INFO.

FULL-DUPLEX RS232<=>RS422/
RS485 CONVERTER FOR 4-WIRE
APPLICATIONS AT BAUD RATES
UP TO 115.2K. SP491EEP IC WITH
ONBOARD BIAS AND TERMINATION.

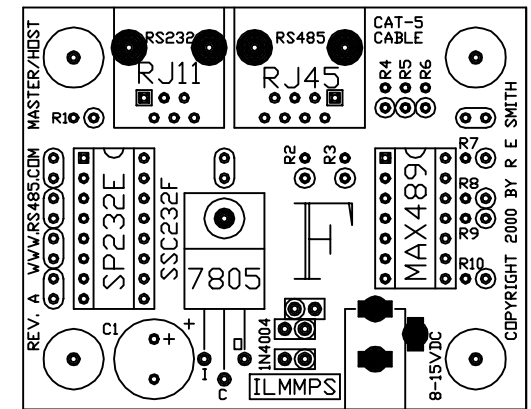
NOTE: USE THIS BOARD WITH
DB9F-7 CABLE AT HOST PC END,
ALSO APPLY POWER HERE.

LINK: rs485.com/pec232cat.html

SPECIFICATIONS

- 1) SIZE: 2.50" X 2.00" X 0.9" (PC BOARD)
WITH CONNECTORS: 2.50" X 2.25"
- 2) MOUNTING HOLES: 4-PLACES
2.00" X 1.50" (#6 HARDWARE)
- 3) SP491EEP DRIVER IC
- 4) TEMPERATURE RANGE: -40C TO 85C
- 5) HUMIDITY: 10-90% RH NON-CONDENSING
- 6) BAUD: 300-115.2K (LIMITED SLEW)
- 7) OPERATING VOLTAGE: 12-15VDC
- 8) TYPICAL POWER: UNDER 0.5W
- 9) FULL-DUPLEX 4-WIRE RS422/485

S1 = 2.50" X 2.00" (ACTUAL SIZE)



OPTIONAL ENCLOSURE,
CABLE (DB9F OR DB25F),
AND POWER SUPPLY
ARE AVAILABLE.

This drawing is the property of R. E. SMITH and shall not be used except with the written permission of R. E. SMITH. No copies shall be made of it and all proprietary rights in the matter contained in this drawing are the property of R. E. SMITH. COPYRIGHT - R. E. SMITH, 2000-2013		DRAWN BY RES	SUBJECT RS232 TO CAT-5	
DATE 2-17-00 REV 9-20-13		FOR "EXTENSION CORD"		
SCALE NONE		RES R. E. SMITH 10330 CHESTER ROAD CINCINNATI, OH 45215		REV. A
SHEET 1 OF 1	SSC232F	CHKD. BY RES	DWG. NO. SSC232F	