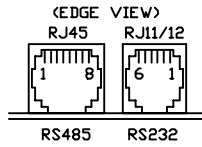
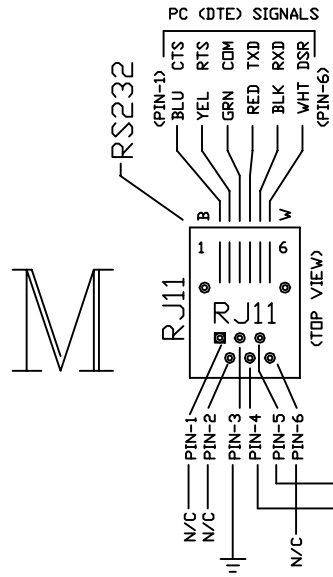


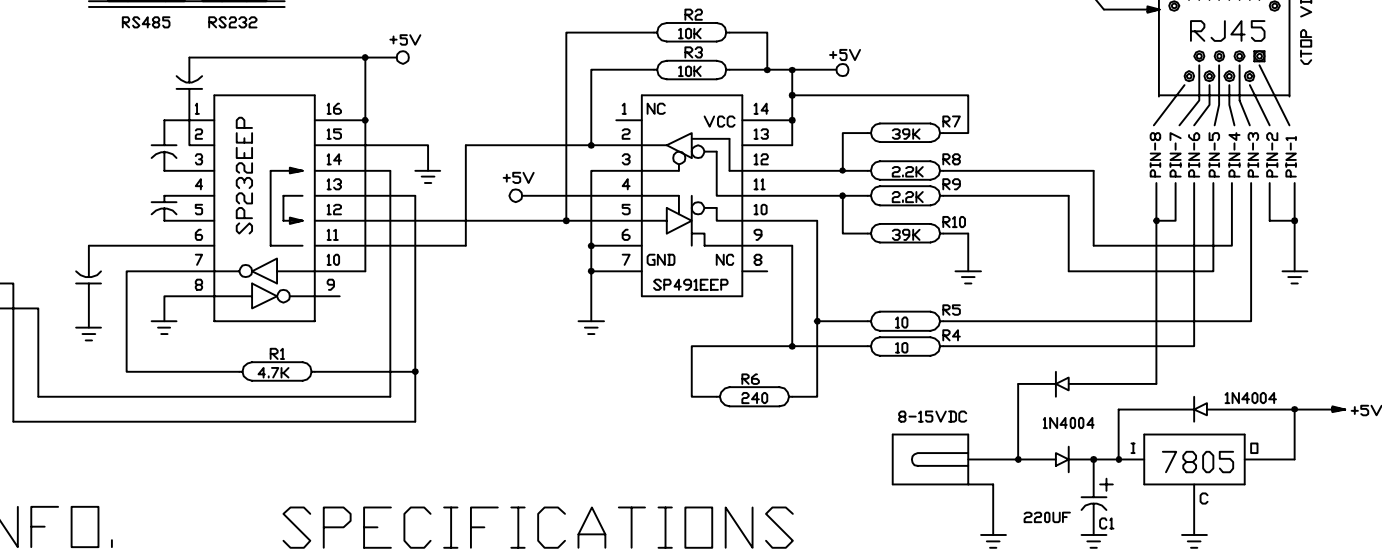
MODEL SSC232M USE CAT5 CABLE

(1/2 "RS232 EXTENSION CORD") FULL DUPLEX



| T568A PIN-OUT | T568B PIN-OUT |
|-----------------|-----------------|
| PIN-1 GRN/WHT | PIN-1 ORN/WHT |
| PIN-2 GRN(PR#3) | PIN-2 ORN(PR#2) |
| PIN-3 ORN/WHT | PIN-3 GRN/WHT |
| PIN-4 BLU(PR#1) | PIN-4 BLU(PR#1) |
| PIN-5 BLU/WHT | PIN-5 BLU/WHT |
| PIN-6 ORN(PR#2) | PIN-6 GRN(PR#3) |
| PIN-7 BRN/WHT | PIN-7 BRN/WHT |
| PIN-8 BRN(PR#4) | PIN-8 BRN(PR#4) |

(PR#2+3 COLOR CHANGE)



GENERAL INFO.

FULL-DUPLEX RS232<=>RS422/
RS485 CONVERTER FOR 4-WIRE
APPLICATIONS AT BAUD RATES
UP TO 115.2K. SP491EEP IC with
ONBOARD BIAS AND TERMINATION.

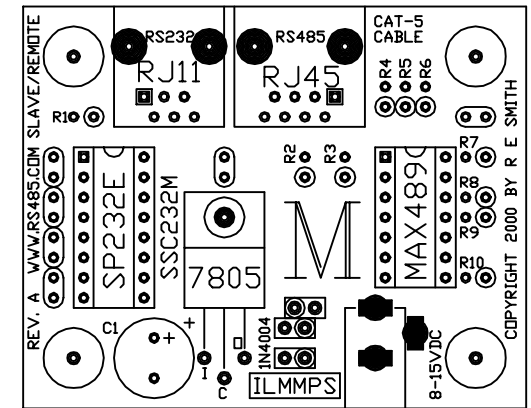
NOTE: USE THIS BOARD WITH
DB9M-7 CABLE AT REMOTE END,
AND OPTIONAL POWER IF NEEDED.

LINK: rs485.com/pec232cat.html

SPECIFICATIONS

- 1) SIZE: 2.50" X 2.00" X 0.9" (PC BOARD)
WITH CONNECTORS: 2.50" X 2.25"
- 2) MOUNTING HOLES: 4-PLACES
2.00" X 1.50" (#6 HARDWARE)
- 3) SP491EEP DRIVER IC
- 4) TEMPERATURE RANGE: -40C TO 85C
- 5) HUMIDITY: 10-90% RH NON-CONDENSING
- 6) BAUD: 300-115.2K (LIMITED SLEW)
- 7) OPERATING VOLTAGE: 8-15VDC
- 8) TYPICAL POWER: UNDER 0.5W
- 9) FULL-DUPLEX 4-WIRE RS422/485

ACTUAL SIZE (1:1)



RESSmith
WWW.RS485.COM
 10330 CHESTER ROAD, CINCINNATI, OHIO 45215
 513-874-4796

OPTIONAL ENCLOSURE,
CABLE (DB9F OR DB25F),
AND POWER SUPPLY
ARE AVAILABLE.

| | | | | |
|--|--|-----------------------------|---|--------|
| This drawing is the property of R. E. SMITH and shall not be used except with the written permission of R. E. SMITH, no copies shall be made of it and all proprietary rights in the matter contained in this drawing are the property of R. E. SMITH. COPYRIGHT - R. E. SMITH, 2000-2013 | | DRAWN BY RES | SUBJECT RS232 TO CAT-5 | |
| SHEET 1 OF 1 | | DATE 2-17-00 REV 9-20-13 | FOR "EXTENSION CORD" | |
| SSC232M | | SCALE NONE | RES R. E. SMITH 10330 CHESTER ROAD CINCINNATI, OH 45215 | |
| CHKD. BY RES | | DVG. NO. SSC232M | | REV. A |