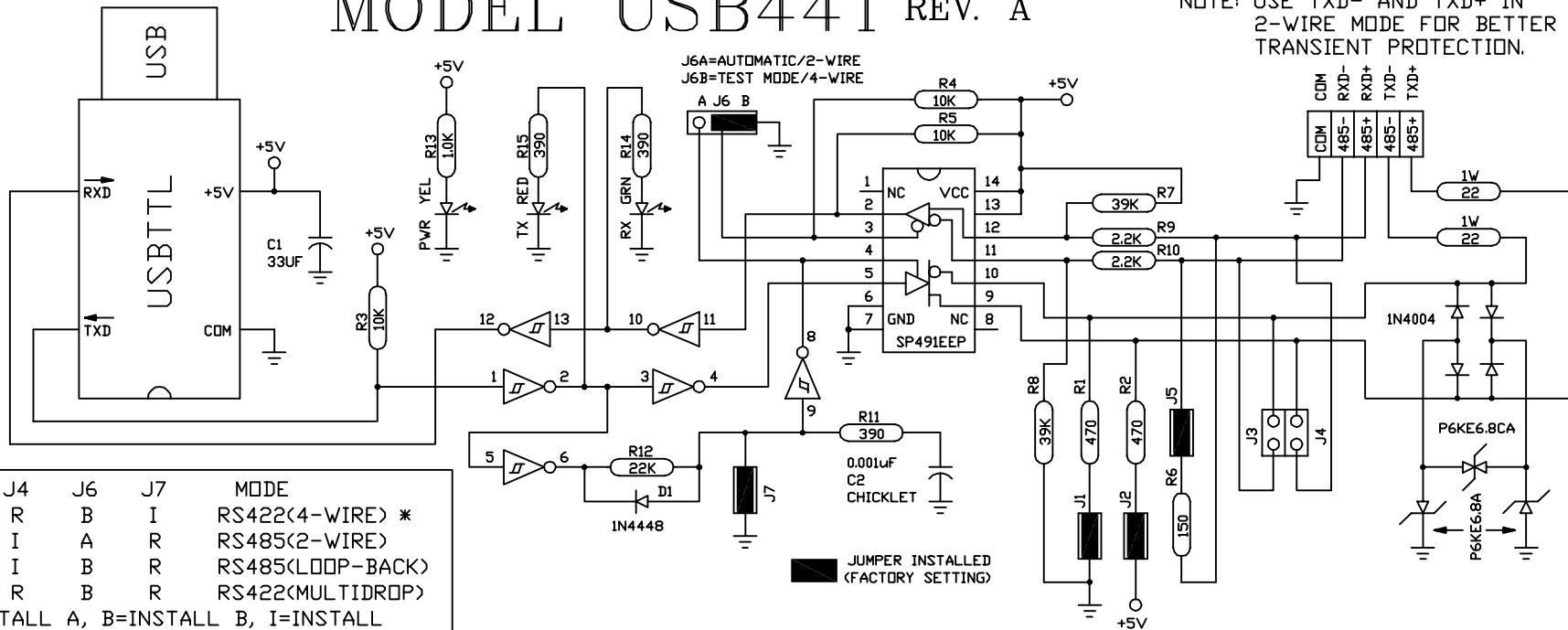


MODEL USB44T REV. A

NOTE: USE TXD- AND TXD+ IN 2-WIRE MODE FOR BETTER TRANSIENT PROTECTION.



J3	J4	J6	J7	MODE
R	R	B	I	RS422(4-WIRE) *
I	I	A	R	RS485(2-WIRE)
I	I	B	R	RS485(LOOP-BACK)
R	R	B	R	RS422(MULTIDROP)

A=INSTALL A, B=INSTALL B, I=INSTALL
 R=REMOVE, *=FACTORY DEFAULT SETTING
 J1=BIAS-, J2=BIAS+, J5=TERMINATION

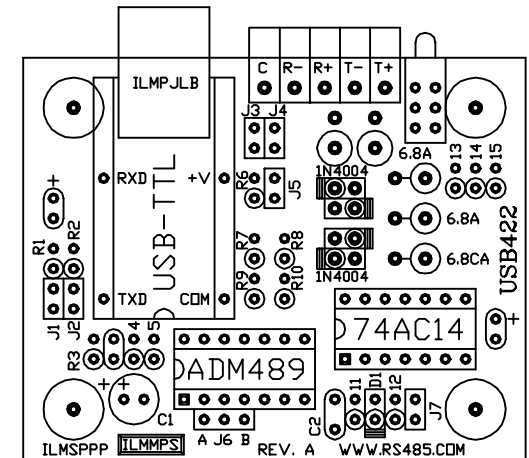
GENERAL INFO.

FAST AUTOMATIC, AUTO TX-ENABLE USB TO RS485/422 CONVERTER FOR 2/4-WIRE APPLICATIONS AT DATA RATES UP TO 921.6KBPS. LEDs FOR POWER, TX DATA, RX DATA. PLUS ONBOARD BIAS & TERMINATION, WITH SP491EEP DRIVER IC. TEST MODE DRIVER IC. TEST MODE JUMPER, and TRANSIENT PROTECTION.

SPECIFICATIONS

- 1) SIZE: 2.50" X 2.00" X 1.2" (PC BOARD) WITH CONNECTORS: 2.50" X 2.50"
- 2) MOUNTING HOLES: 4-PLACES 2.00" X 1.50" (#6 HARDWARE)
- 3) SP491EEP RS485/422 DRIVER IC with EXTERNAL TRANSIENT PROTECTION
- 4) TEMPERATURE RANGE: 0C TO +70C
- 5) HUMIDITY: 10-90% RH NON-CONDENSING
- 6) BAUD: 300-230.4K (LIMITED SLEW)
- 7) TYPICAL POWER: UNDER 0.5W
- 8) HALF-DUPLEX 2-WIRE RS485
- 9) FULL-DUPLEX 4-WIRE RS485/422

S1 = 2.50" X 2.00" (ACTUAL SIZE)



LINK: rs485.com/pusb44t.html

RESSmith
 WWW.RS485.COM
 10330 CHESTER ROAD, CINCINNATI, OHIO 45215
 513-874-4796

www.rs485.com

This drawing is the property of R. E. SMITH and shall not be used except with the written permission of R. E. SMITH, no copies shall be made of it and all proprietary rights in the matter contained in this drawing are the property of R. E. SMITH. COPYRIGHT - R. E. SMITH, 2000-2013		DRAWN BY RES	SUBJECT USB<=>RS485/422	
SHEET 1 OF 1		DATE 1-14-06 REV 9-20-13	FOR AUTOMATIC CONV.	
USB44T		SCALE NONE	RES R. E. SMITH 10330 CHESTER ROAD CINCINNATI, OH 45215	
		CHKD. BY RES	DVG. NO. USB44T REV. A	