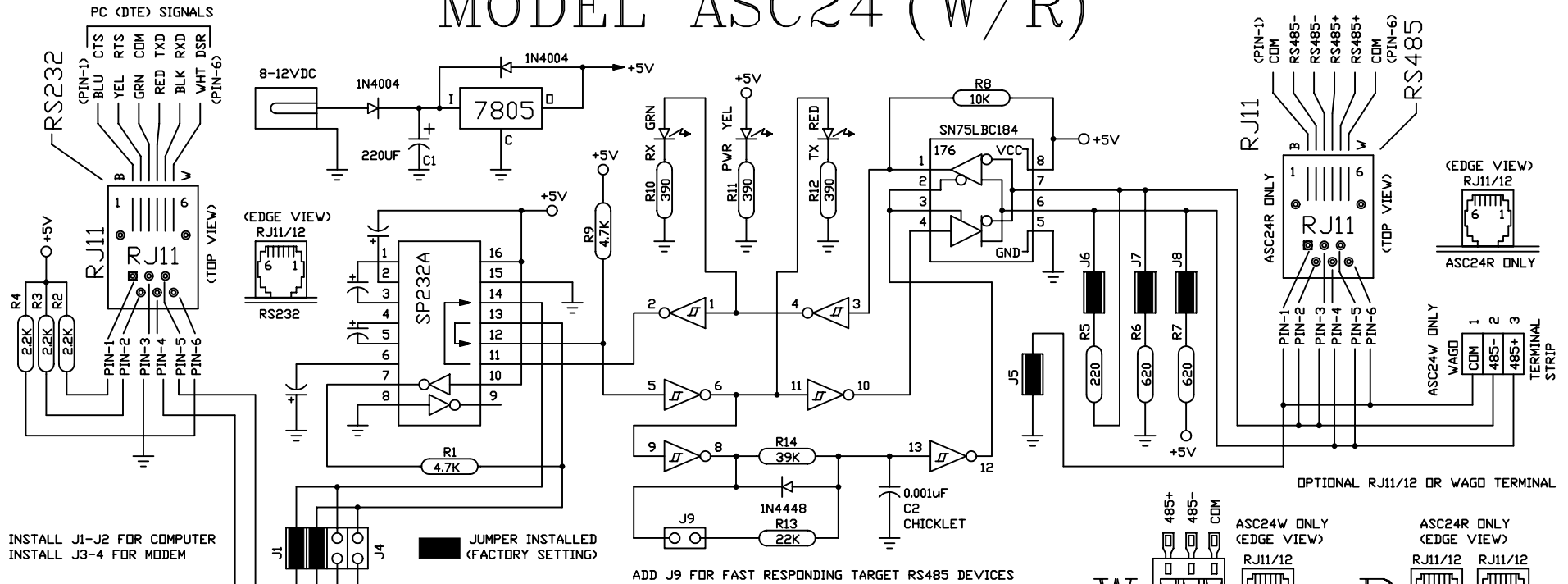


MODEL ASC24 (W/R)



INSTALL J1-J2 FOR COMPUTER
INSTALL J3-4 FOR MODEM

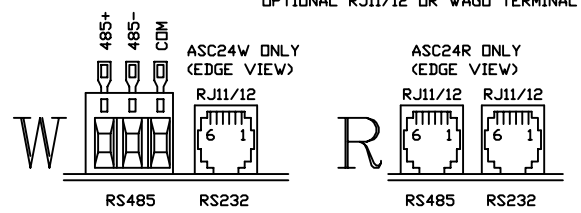
■ JUMPER INSTALLED
(FACTORY SETTING)

ADD J9 FOR FAST RESPONDING TARGET RS485 DEVICES

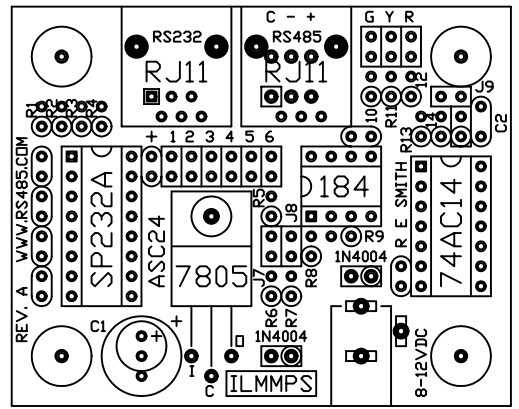
GENERAL INFO.
FAST AUTOMATIC AUTO TX-ENABLE
RS232 TO RS485 CONVERTER FOR
2-WIRE APPLICATIONS AT BAUD
RATES UP TO 115.2K. LEDs FOR
POWER, TX DATA, AND RX DATA.
ONBOARD BIAS AND TERMINATION
WITH ONE-HALF UNIT LOAD TI
SN75LBC184P DRIVER IC WITH
SUPERIOR TRANSIENT PROTECTION.

SPECIFICATIONS

- 1) SIZE: 2.50" X 2.00" X 0.9" (PC BOARD)
WITH CONNECTORS: 2.50" X 2.25"
- 2) MOUNTING HOLES: 4-PLACES
2.00" X 1.50" (#6 HARDWARE)
- 3) TI SN75LBC184P RS485 DRIVER IC
BUILT-IN TRANSIENT PROTECTION
- 4) TEMPERATURE RANGE: 0C TO 65C
- 5) HUMIDITY: 10-90% RH NON-CONDENSING
- 6) BAUD: 300-115.2K (LIMITED SLEW)
- 7) OPERATING VOLTAGE: 8-12VDC
- 8) TYPICAL POWER: UNDER 0.5W
- 9) HALF-DUPLEX 2-WIRE RS485



ACTUAL SIZE (1:1)



R. E. SMITH
4311 TYLERSVILLE ROAD
HAMILTON, OHIO 45011
(513) 874-4796

www.rs485.com

OPTIONAL ENCLOSURE,
CABLE (DB9F OR DB25F),
AND POWER SUPPLY
ARE AVAILABLE.

This drawing is the property of R. E. SMITH and shall not be used except with the written permission of R. E. SMITH, no copies shall be made of it and all proprietary rights in the matter contained in this drawing are the property of R. E. SMITH. COPYRIGHT - R. E. SMITH, 2000		DRAWN BY RES	SUBJECT RS232/RS485	
SHEET 1 OF 1		DATE 6-28-99	FOR AUTOMATIC CONV.	
ASC24		SCALE NONE	RES R. E. SMITH 431 TYLERSVILLE RD. HAMILTON, OHIO 45011	
CHKD. BY RES		DWG. NO. ASC24		REV. A