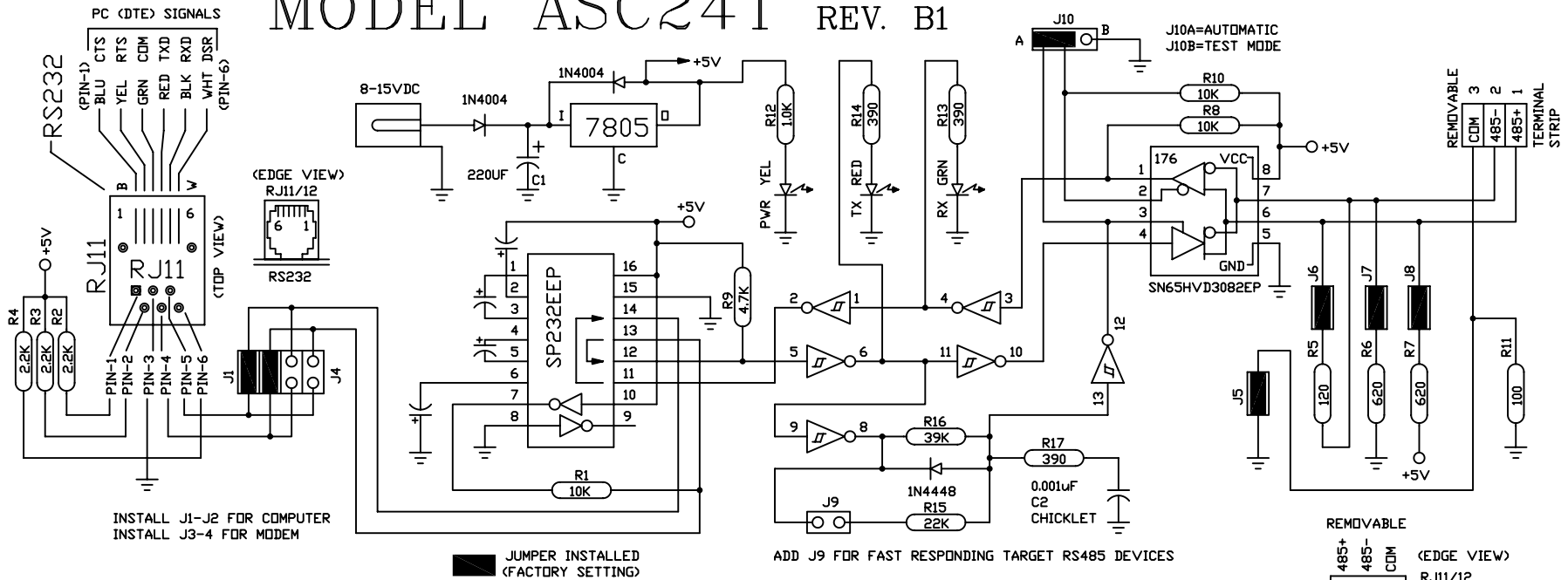


MODEL ASC24T REV. B1



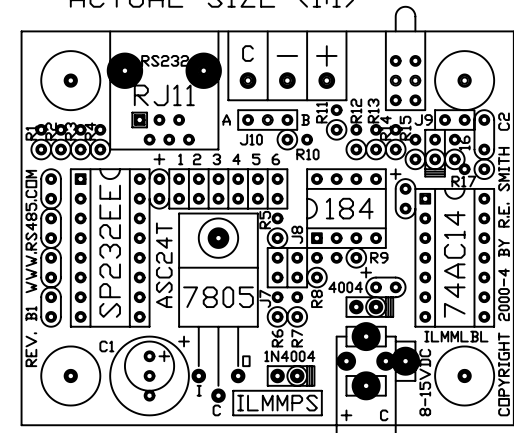
GENERAL INFO.

FAST AUTOMATIC AUTO TX-ENABLE RS232 TO RS485 CONVERTER FOR 2-WIRE APPLICATIONS AT BAUD RATES UP TO 115.2K. LEDs FOR POWER, TX DATA, AND RX DATA. ONBOARD BIAS AND TERMINATION WITH ONE-QUARTER UNIT LOAD TI SN65HVD3082EP DRIVER IC WITH BUILT-IN TRANSIENT PROTECTION. TEST MODE JUMPER, AND IMPROVED AUTO TRANSMIT ENABLE TIMING.

SPECIFICATIONS

- 1) SIZE: 2.50" X 2.00" X 0.9" (PC BOARD)
WITH CONNECTORS: 2.50" X 2.25"
- 2) MOUNTING HOLES: 4-PLACES
2.00" X 1.50" (#6 HARDWARE)
- 3) TI SN65HVD3082EP RS485 DRIVER IC
BUILT-IN TRANSIENT PROTECTION
- 4) TEMPERATURE RANGE: -40C TO +85C
- 5) HUMIDITY: 10-90% RH NON-CONDENSING
- 6) BAUD: 300-115.2K (LIMITED SLEW)
- 7) OPERATING VOLTAGE: 8-15VDC
- 8) TYPICAL POWER: UNDER 0.5W
- 9) HALF-DUPLEX 2-WIRE RS485

ACTUAL SIZE (1:1)



RS-Smith
WWW.RS485.COM
 4311 R. E. Smith Drive, Hamilton, Ohio 45011
 513-874-4796

OPTIONAL ENCLOSURE,
 CABLE (DB9F OR DB25F),
 AND POWER SUPPLY
 ARE AVAILABLE.

This drawing is the property of R. E. SMITH and shall not be used except with the written permission of R. E. SMITH, no copies shall be made of it and all proprietary rights in the matter contained in this drawing are the property of R. E. SMITH. COPYRIGHT - R. E. SMITH, 2000-2004		DRAWN BY RES	SUBJECT RS232<=>RS485	
SHEET 1 OF 1		DATE 7-16-04	FOR AUTOMATIC CONV.	
ASC24T		SCALE NONE	RES R. E. SMITH 4311 R. E. SMITH DRIVE HAMILTON, OHIO 45011	DWG. NO. ASC24T
		CHKD. BY RES		REV. B1