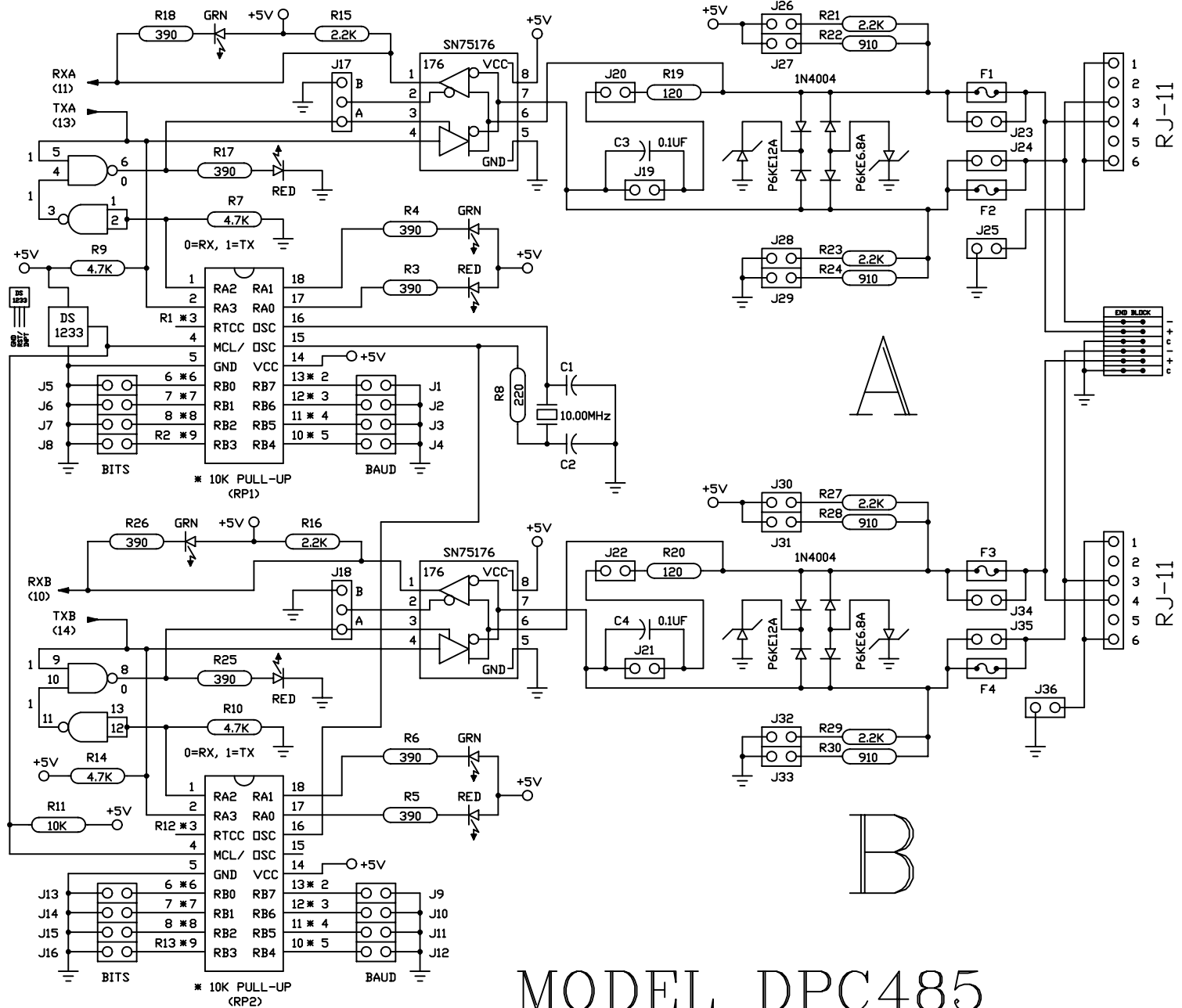


R. E. SMITH
4311 TYLERSVILLE ROAD
HAMILTON, OHIO 45011
(513) 874-4796



MODEL DPC485

DPC485A = AUTO CONV.
DPC485B = BUS INT.
DPC485S = SILK SCR.N.

This drawing is the property of R. E. SMITH and shall not be used except with the written permission of R. E. SMITH, no copies shall be made of it and all proprietary rights in the matter contained in this drawing are the property of R. E. SMITH. COPYRIGHT - R. E. SMITH, 1995		DRAWN BY RES		SUBJECT "AUTO" RS485 COM.	
DATE 3-17-96		FOR		PC/ISA INTERFACE	
SCALE NONE		RES		R. E. SMITH 4311 TYLERSVILLE RD. HAMILTON, OHIO 45011	
SHEET 1 OF 1		CHKD. BY RES		DVG. NO. DPC485A	
DPC485A				REV. A	