

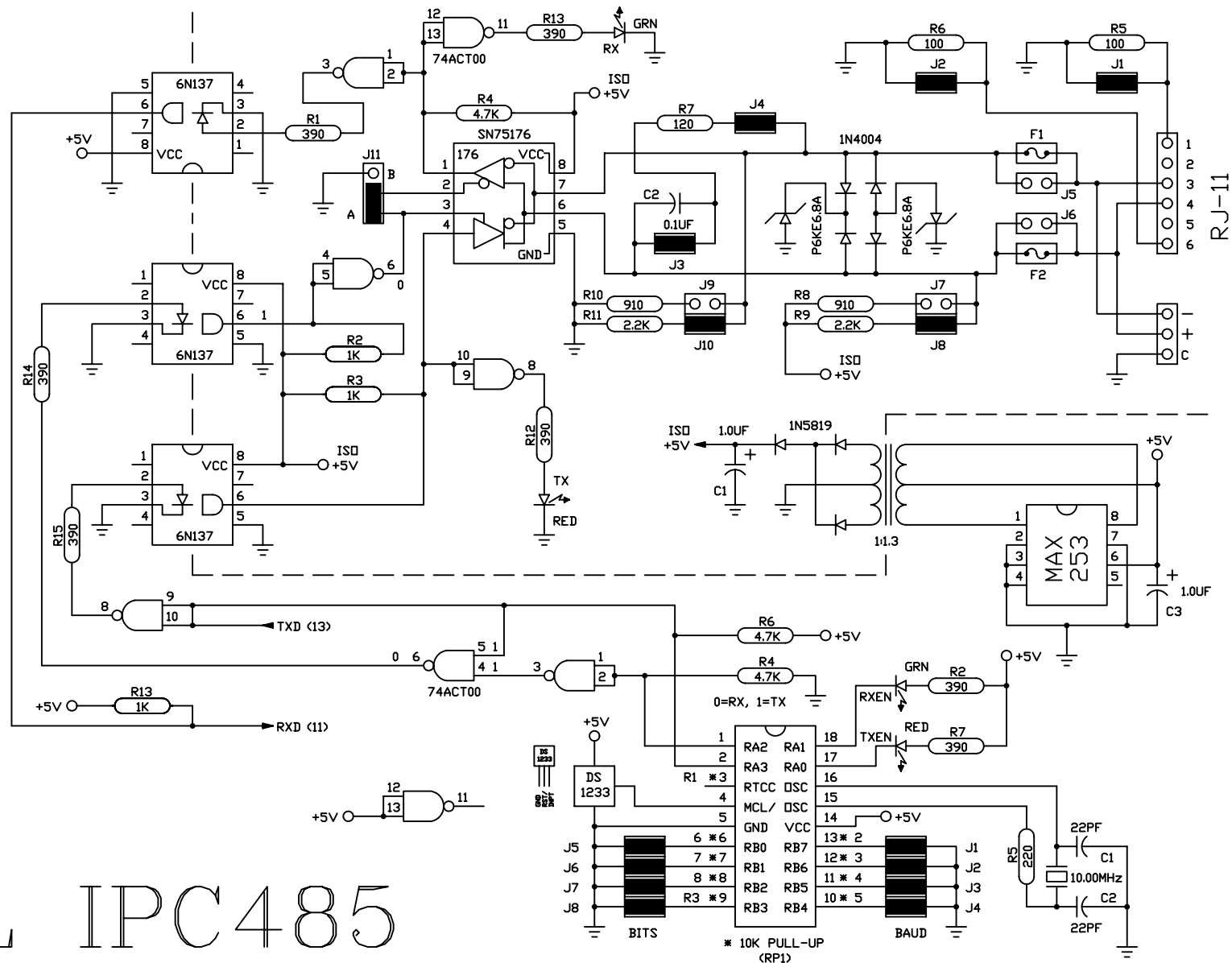
R. E. SMITH
4311 TYLERSVILLE ROAD
HAMILTON, OHIO 45011
(513) 874-4796

MODEL IPC485

NOTE:

RESISTOR, CAPACITOR
AND J-NUMBERS ARE
DUPLICATED FOR NON-
ISOLATED AND ISOLATED
SIDES OF THE INTERFACE.

IPC485A = AUTO. CONV.
IPC485B = BUS INT.
IPC485S = SILK SCR.N.



This drawing is the property of R. E. SMITH and shall not be used except with the written permission of R. E. SMITH, no copies shall be made of it and all proprietary rights in the matter contained in this drawing are the property of R. E. SMITH. COPYRIGHT - R. E. SMITH, 1997		DRAWN BY RES		SUBJECT ISOLATED 485 UART	
DATE 3-22-97		DATE 3-22-97		FOR "AUTO" RS485 COM.	
SCALE NONE		SCALE NONE		RES R. E. SMITH 4311 TYLERSVILLE RD. HAMILTON, OHIO 45011	
SHEET 1 OF 1		IPC485A		CHKD. BY RES	
				DWG. NO. IPC485A	
				REV. A	