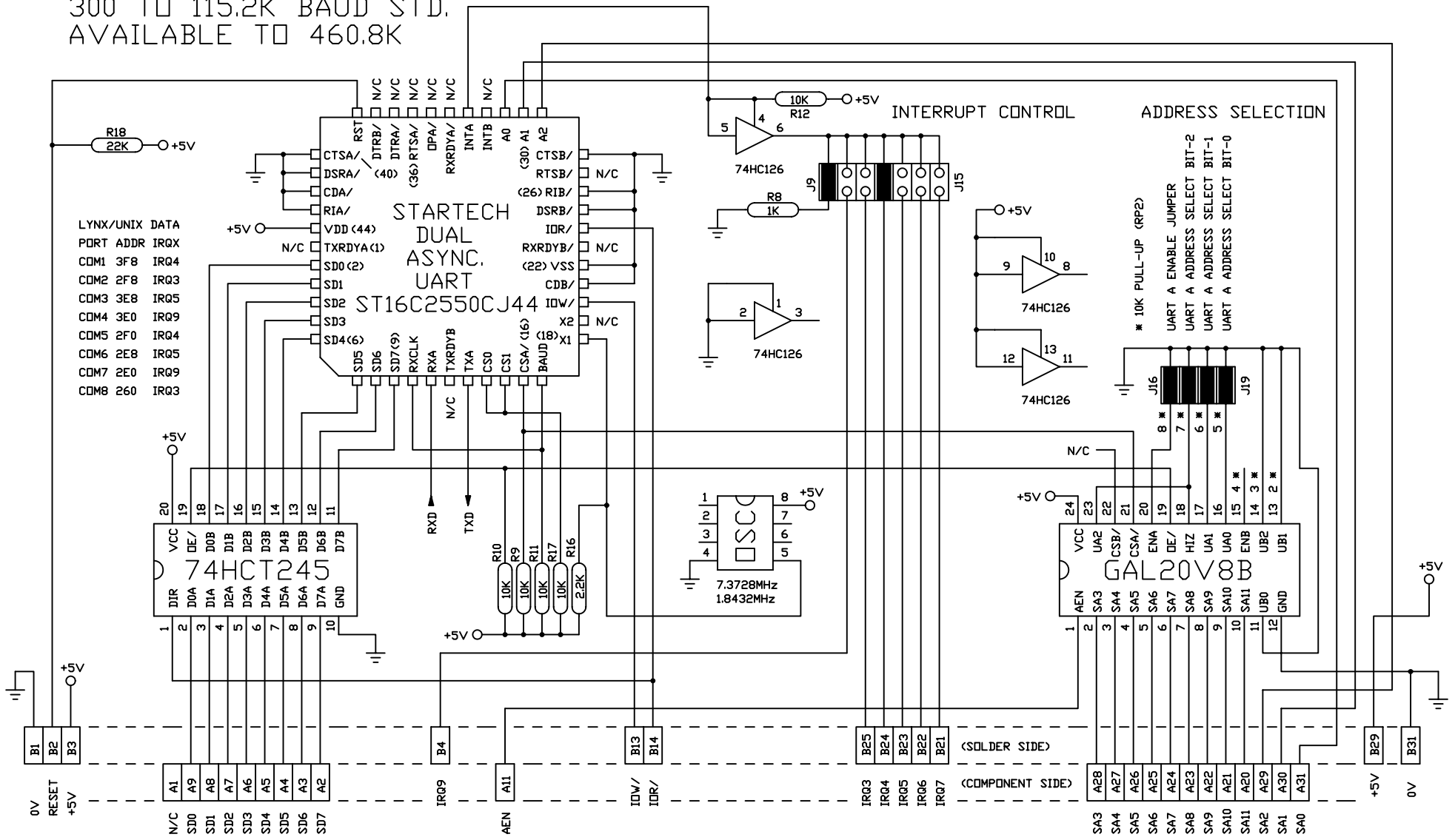


# MODEL IPC485

# PC ISA BUS INTERFACE

DUAL AUTOMATIC RS-485  
300 TO 115.2K BAUD STD.  
AVAILABLE TO 460.8K



R. E. SMITH  
4311 TYLERSVILLE ROAD  
HAMILTON, OHIO 45011  
(513) 874-4796

/ = LOW TRUE SIGNAL  
IPC485A = AUTO CONV.  
IPC485B = BUS INT.  
IPC495S = SILK SCR.N.

This drawing is the property of R. E. SMITH and shall not be used except with the written permission of R. E. SMITH, no copies shall be made of it and all proprietary rights in the matter contained in this drawing are the property of R. E. SMITH. COPYRIGHT - R. S. SMITH, 1997		DRAWN BY RES	SUBJECT ISOLATED 485 UART	
		DATE 3-22-97	FOR PC BUS INTERFACE	
		SCALE NONE	RES R. E. SMITH 4311 TYLERSVILLE RD. HAMILTON, OHIO 45011	
SHEET 1 OF 1	IPC485B	CHKD. BY RES	DWG. NO. IPC485B	REV. A