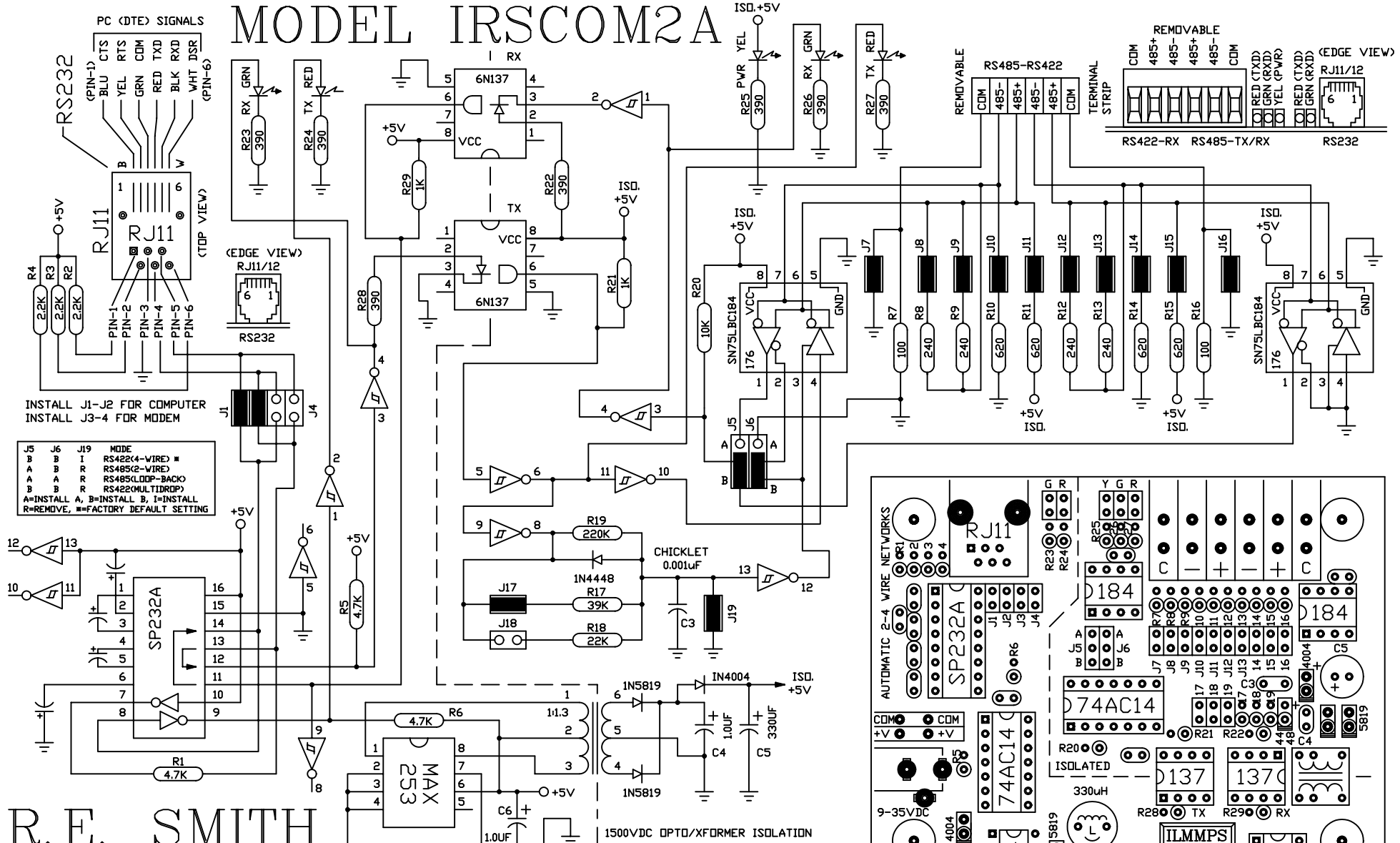


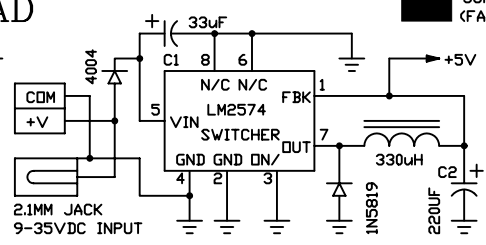
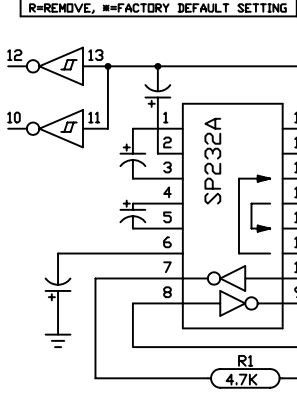
# MODEL IRSCOM2A



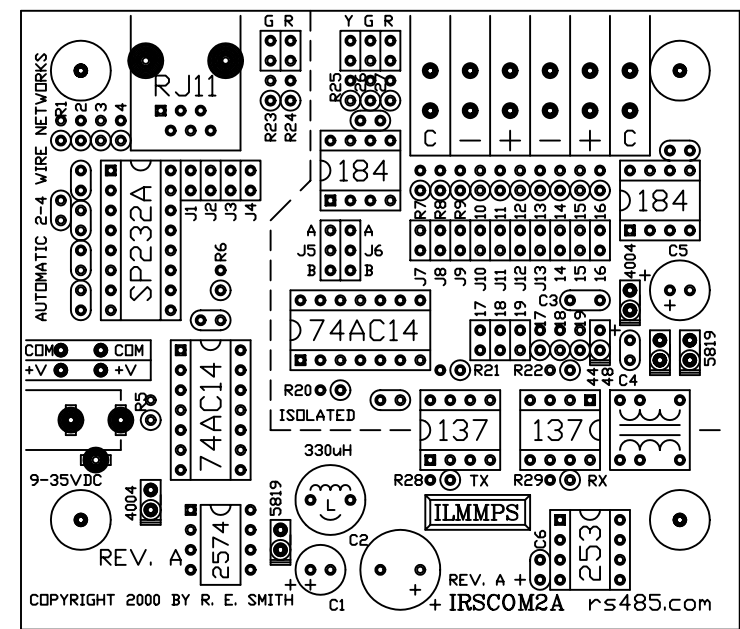
INSTALL J1-J2 FOR COMPUTER  
INSTALL J3-4 FOR MODEM

J5	J6	J9	MODE
A	B	1	RS422(4-WIRE)
A	B	1	RS485(2-WIRE)
A	A	R	RS485(LOOP-BACK)
B	B	R	RS422(MULTIDROP)

A=INSTALL A, B=INSTALL B, I=INSTALL  
R=REMOVE, #=FACTORY DEFAULT SETTING



JUMPER INSTALLED (FACTORY SETTING)



**R. E. SMITH**  
4311 TYLERSVILLE ROAD  
HAMILTON, OHIO 45011  
513-874-4796  
513-874-1236 Fax.

[www.rs485.com](http://www.rs485.com)

This drawing is the property of R. E. SMITH and shall not be used except with the written permission of R. E. SMITH, no copies shall be made of it and all proprietary rights in the matter contained in this drawing are the property of R. E. SMITH.		DRAWN BY RES		SUBJECT "AUTO" RS232/RS485	
COPYRIGHT - R. E. SMITH, 2000		DATE 3-4-00		FOR ISOLATED 2/4-WIRE	
SHEET 1 OF 1		SCALE NONE		RES R. E. SMITH 4311 TYLERSVILLE RD. HAMILTON, OHIO 45011	
IRSCOM2A		CHKD. BY RES		IRSCOM2A	
				REV. A	