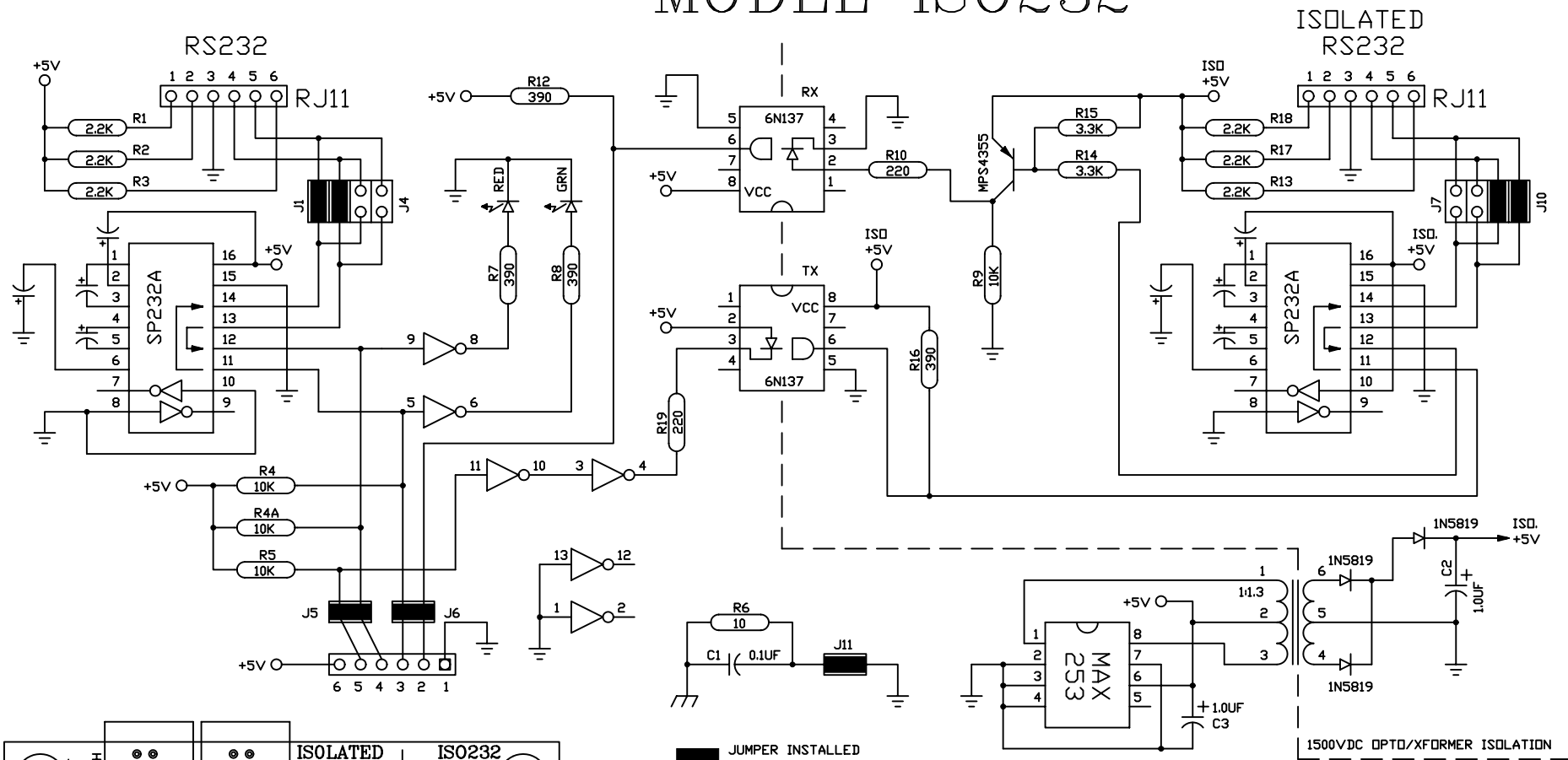
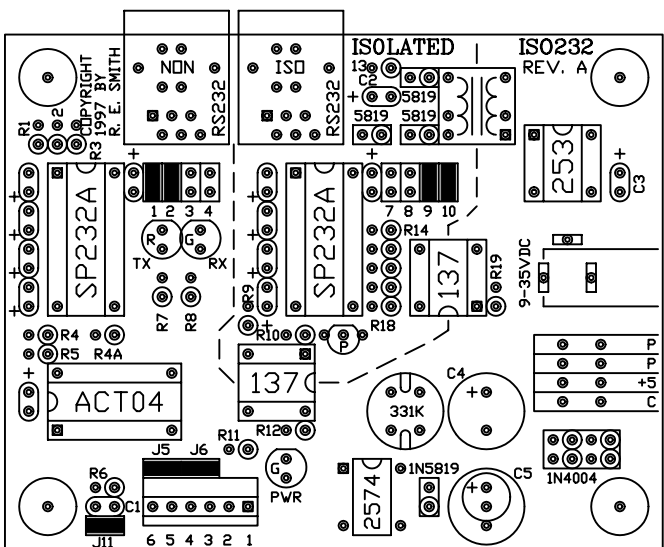


# MODEL IS0232

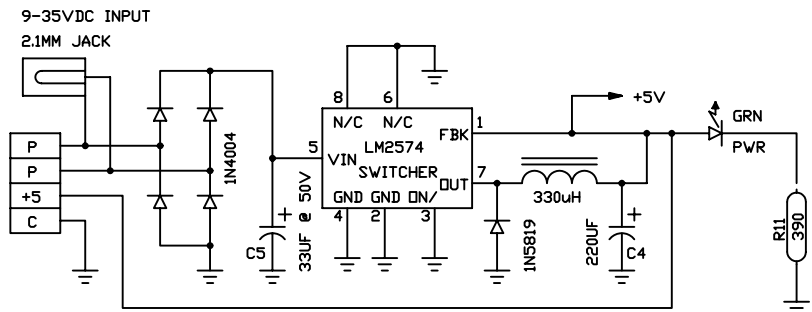


■ JUMPER INSTALLED  
(FACTORY SETTING)

1500VDC OPTO/XFORMER ISOLATION



R. E. SMITH  
4311 TYLERSVILLE ROAD  
HAMILTON, OHIO 45011  
(513) 874-4796



This drawing is the property of R. E. SMITH and shall not be used except with the written permission of R. E. SMITH, no copies shall be made of it and all proprietary rights in the matter contained in this drawing are the property of R. E. SMITH. COPYRIGHT - R. E. SMITH, 1997		DRAWN BY RES	SUBJECT ISOLATED 232/232	
SHEET 1 OF 1		DATE 3-20-97	FOR 1500VDC ISOLATED	
IS0232		SCALE NONE	R. E. SMITH 4311 TYLERSVILLE RD. HAMILTON, OHIO 45011	
CHKD. BY RES			DWG. NO. IS0232	REV. A