

■ JUMPER INSTALLED
(FACTORY SETTING)

NOTE:
A MINIMUM OF ONE SIGNAL INPUT MUST BE IN THE HIGH STATE (+7V) TO INSURE PROPER OPERATION. IN SOME INSTANCES MORE THEN ONE SIGNAL INPUT COULD BE REQUIRED FOR PROPER OPERATION. THE UNIT WILL NOT WORK IF TERMINATION IS USED ON THE RS-485 SIDE OF THE INTERFACE (IF PORT POWERED). REMOVE ALL JUMPERS EXCEPT J4 FOR PORT POWERED OPERATION.

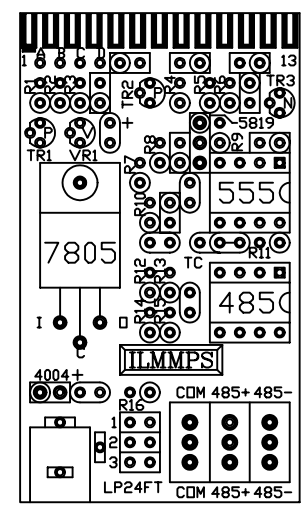
MODEL LP24FT AND LP24FR

(25-PIN "BACKSHELL" INCLUDED)

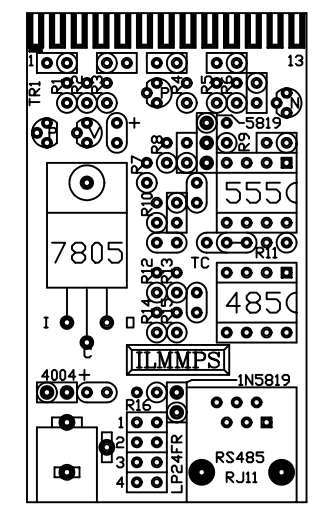
R. E. SMITH
4311 TYLERSVILLE ROAD
HAMILTON, OHIO 45011
513-874-4796

www.rs485.com

MODEL LP24FT



MODEL LP24FR



This drawing is the property of R. E. SMITH and shall not be used except with the written permission of R. E. SMITH, no copies shall be made of it and all proprietary rights in the matter contained in this drawing are the property of R. E. SMITH. COPYRIGHT - R. E. SMITH, 1998		DRAWN BY RES	SUBJECT RS232 TO RS485	
		DATE 9-22-98	FOR LOW POWER/AUTO.	
		SCALE NONE	RES R. E. SMITH DVG. NO. 431 TYLERSVILLE RD. HAMILTON, OHIO 45011	
SHEET 1 OF 1	LP24FT	CHKD. BY RES	LP24FT	REV. A