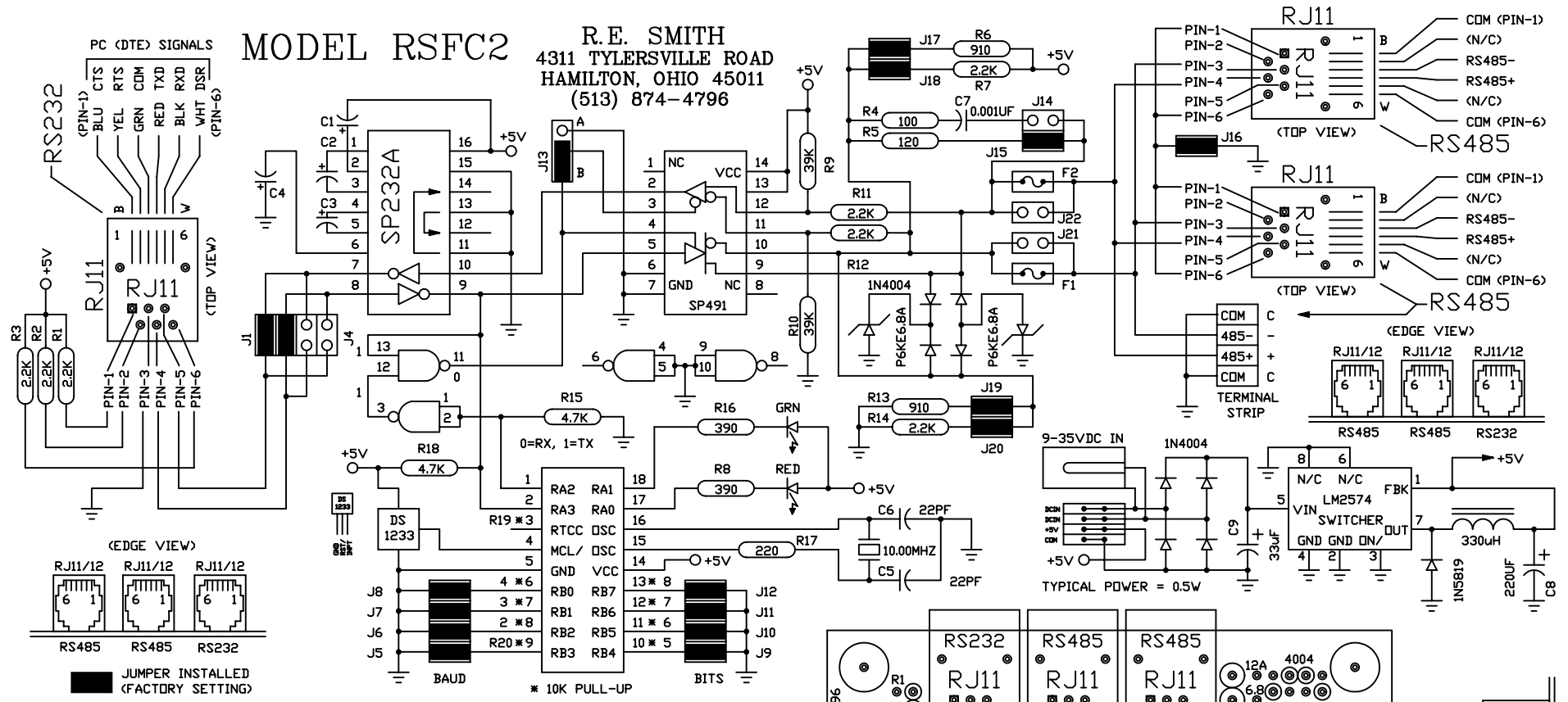


MODEL RSFC2

R. E. SMITH
4311 TYLERSVILLE ROAD
HAMILTON, OHIO 45011
(513) 874-4796



*** CHARACTER MODE FIXED SETTING FOR 9600, N,8,1 (DEFAULT SETTING)

BAUD	J5	J6	J7	J8
300	REMOVE	REMOVE	REMOVE	REMOVE
600	REMOVE	REMOVE	REMOVE	INSTALL
1200	REMOVE	REMOVE	INSTALL	REMOVE
2400	REMOVE	REMOVE	INSTALL	INSTALL
4800	REMOVE	INSTALL	REMOVE	REMOVE
9600	REMOVE	INSTALL	REMOVE	INSTALL
19200	REMOVE	INSTALL	INSTALL	REMOVE
38400	REMOVE	INSTALL	INSTALL	INSTALL
57600	INSTALL	REMOVE	REMOVE	REMOVE
76800	INSTALL	REMOVE	REMOVE	INSTALL
115200	INSTALL	REMOVE	INSTALL	REMOVE
RESVD	INSTALL	REMOVE	INSTALL	INSTALL
AUTOL*	INSTALL	INSTALL	REMOVE	REMOVE
AUTDH	INSTALL	INSTALL	REMOVE	INSTALL
RXONLY	INSTALL	INSTALL	INSTALL	REMOVE
9600**	INSTALL	INSTALL	INSTALL	INSTALL

RXONLY = FLASH GRN, RESVD = FLASH RED
* AUTOL = AUTOMATIC 'BIT' MODE SETTING FOR 300 TO 38,400 BAUD.
AUTDH = HIGH SPEED AUTOMATIC 'BIT' MODE (19200 TO 115.2K, OR ENTIRE SPECTRUM)

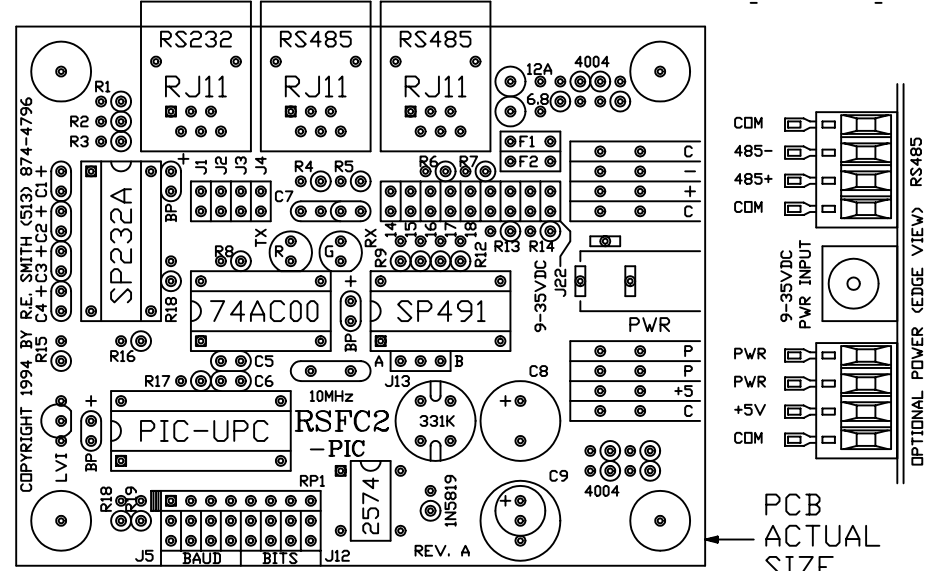
NOTE: REMOVE POWER TO CHANGE JUMPERS

TOTAL BITS: START, PARITY, DATA, STOP					EXAMPLE
BITS	J9	J10	J11	J12	
6	REMOVE	REMOVE	REMOVE	REMOVE	
6-1/2	REMOVE	REMOVE	REMOVE	INSTALL	
7	REMOVE	REMOVE	INSTALL	REMOVE	
7-1/2	REMOVE	REMOVE	INSTALL	INSTALL	
8	REMOVE	INSTALL	REMOVE	REMOVE	
8-1/2	REMOVE	INSTALL	REMOVE	INSTALL	
9	REMOVE	INSTALL	INSTALL	REMOVE	N, 7, 1
9-1/2	REMOVE	INSTALL	INSTALL	INSTALL	
10	INSTALL	REMOVE	REMOVE	REMOVE	N, 8, 1
10-1/2	INSTALL	REMOVE	REMOVE	INSTALL	
11	INSTALL	REMOVE	INSTALL	REMOVE	N, 8, 2
11-1/2	INSTALL	REMOVE	INSTALL	INSTALL	
12	INSTALL	INSTALL	REMOVE	REMOVE	
12-1/2	INSTALL	INSTALL	REMOVE	INSTALL	
13	INSTALL	INSTALL	INSTALL	REMOVE	
13-1/2	INSTALL	INSTALL	INSTALL	INSTALL	

NOTES: IF JUMPERS J5-J8 (**9600) ARE INSTALLED OR IF ONE OF THE 'BIT' MODES IS SELECTED (AUTOL OR AUTDH) THE ABOVE JUMPERS ARE IGNORED.

www.rs485.com

3.50" X 2.75"



This drawing is the property of R. E. SMITH and shall not be used except with the written permission of R. E. SMITH, no copies shall be made of it and all proprietary rights in the matter contained in this drawing are the property of R. E. SMITH.		DRAWN BY RES		SUBJECT FAST CONVERTER	
COPYRIGHT - R. E. SMITH, 1994		DATE 1-29-99 (REVISED)		FOR COMM CONVERSION	
SHEET 1 OF 1		SCALE NONE		DWG. NO. RSFC2	
CHKD. BY RES		RES		REV. A	