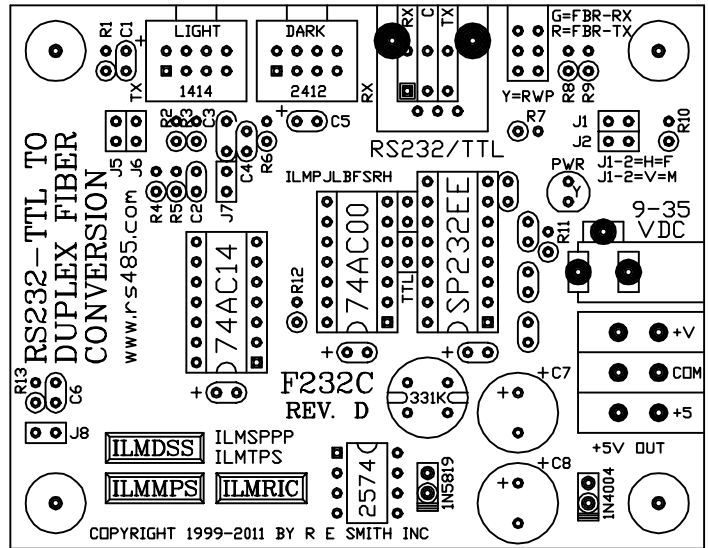


LOW POWER VERSION:
R4=R5=33 OHMS
J2 TX CURRENT
I 45mA
R 39mA(67%)

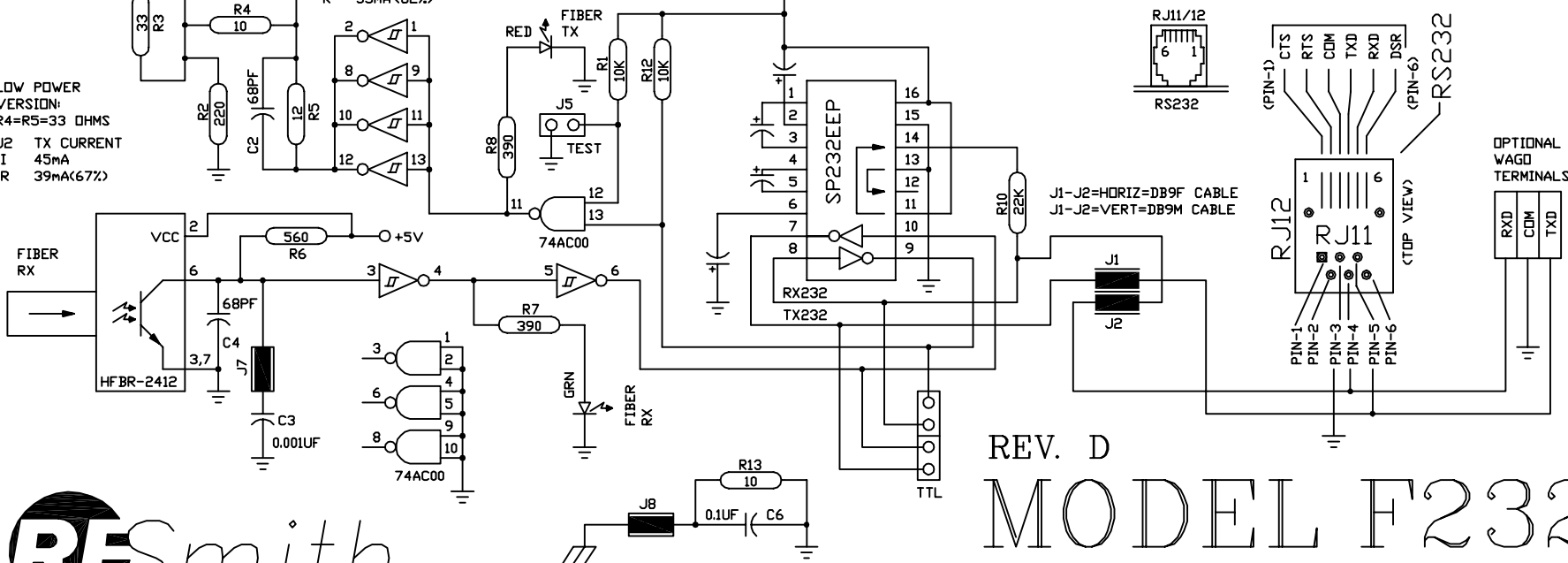
STANDARD VERSION
J2 TX CURRENT
I 67mA
R 55mA(82%)

RESSmith
WWW.RS485.COM
10330 CHESTER ROAD, CINCINNATI, OHIO 45215
513-874-4796

 JUMPER INSTALLED (FACTORY SETTING)



J1 FOR DB9F AND DB25F CABLES
J2 FOR DB9M AND DB25M CABLES



REV. D MODEL F232C

| | | | | |
|--|-------|---------------|---|--------|
| This drawing is the property of R. E. SMITH and shall not be used except with the written permission of R. E. SMITH, no copies shall be made of it and all proprietary rights in the matter contained in this drawing are the property of R. E. SMITH. COPYRIGHT - R. E. SMITH, 1999-2009 | | DRAWN BY RES | SUBJECT FIBER TO RS232 | |
| | | DATE 11-21-09 | FOR AUTO CONVERSION | |
| | | SCALE NONE | RES R. E. SMITH 10330 CHESTER ROAD CINCINNATI, OHIO 45215 | |
| SHEET 1 OF 1 | F232C | CHKD. BY RES | DWG. NO. F232C | REV. D |