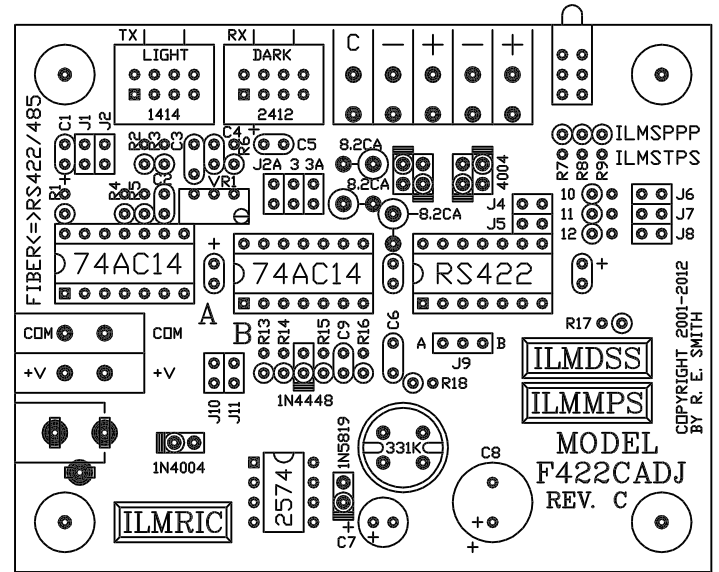
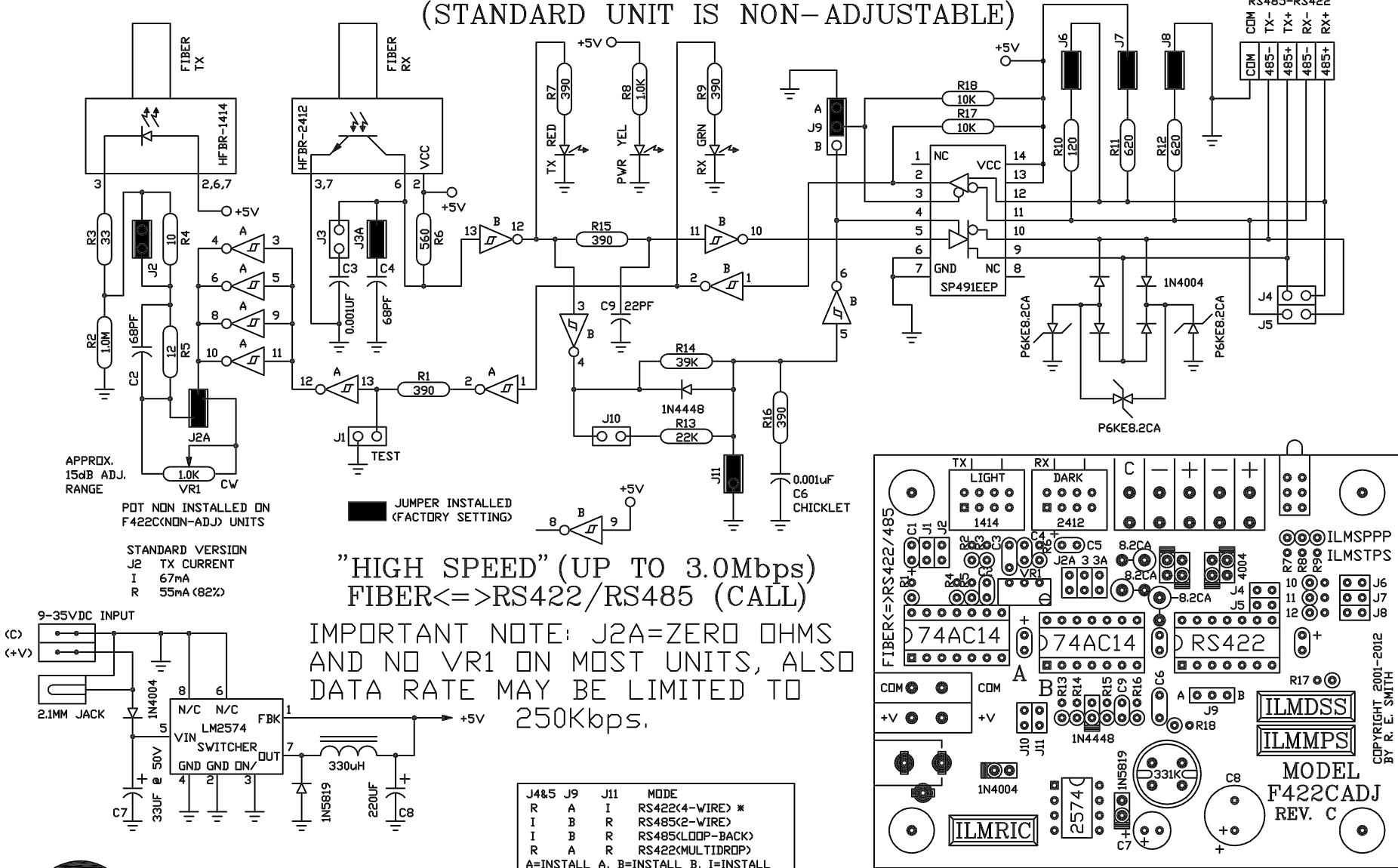


MODEL F422CADJ REV. C

(STANDARD UNIT IS NON-ADJUSTABLE)

NOTE: TX/RX PINS ARE DIFFERENT THEN THE PINS FOR THE F422C



NOTE: THIS BOARD REPLACES OLDER F422C UNIT

SHEET 1 OF 1	F422CADJ	This drawing is the property of R. E. SMITH and shall not be used except with the written permission of R. E. SMITH, no copies shall be made of it and all proprietary rights in the matter contained in this drawing are the property of R. E. SMITH. COPYRIGHT - R. E. SMITH, 2000-2015	DRAWN BY RES DATE 8-19-06 REVISED 7-23-12 SCALE NONE	SUBJECT FIBER<=>RS422/485 FOR AUTO CONVERSION	REV. C
		CHKD. BY RES	RES R. E. SMITH 10330 CHESTER ROAD CINCINNATI, OH 45215	DVG. NO. F422CADJ	