

STANDARD VERSION
 J2 TX CURRENT
 I 67mA
 R 45mA (67%)

INSTALL J2 FOR EXTENDED DISTANCE (REMOVE J2 FOR HIGH SPEED AT SHORT DISTANCES)

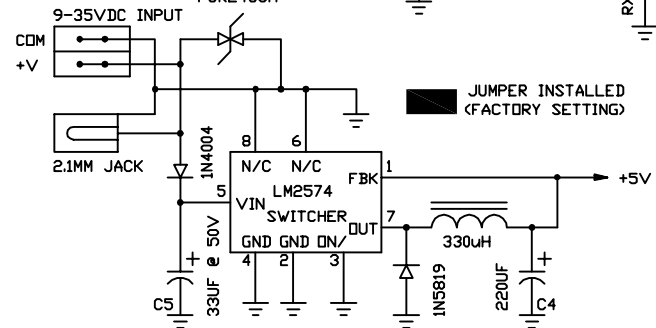
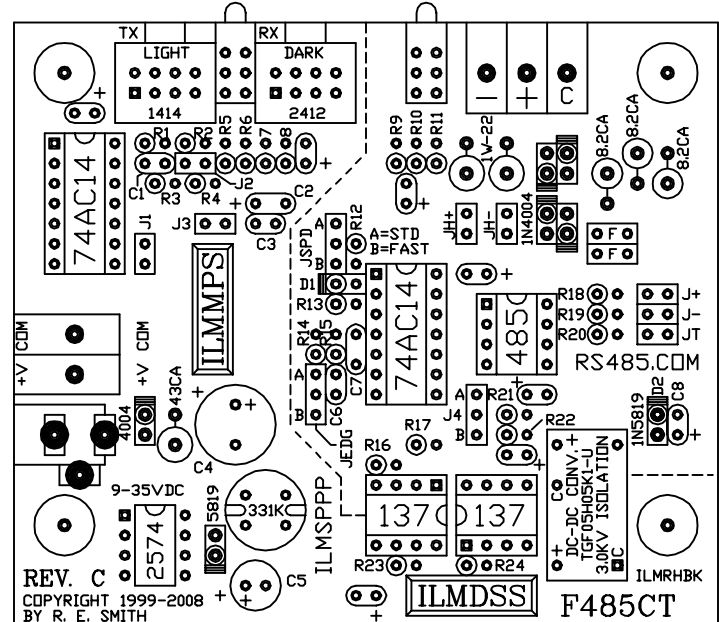
NOTE: C3 NOT INSTALLED

NOTE: FAST OPERATION TO 3.0Mbps (JSPD=B AND JEDG=B, REMOVE J2 & J3)

JUMPER SUMMARY

I=INSTALL, R=REMOVE JUMPER
 FD=FACTORY DEFAULT SETTING
 J1 = I(FD)=FIBER TX TEST, R(FD)=NORMAL
 J2 = I(FD)=67mA, R=45mA
 J3 = I(FD)=NORMAL, R=HS(1Mbps+)
 J4 = A(FD)=AUTO, B=LDDPBACK
 JH+ = I=NO RES, R(FD)=22-OHMS
 JH- = I=NO RES, R(FD)=22-OHMS
 JSPD = A(FD)=NORMAL, B=HS(1Mbps+)
 JEDG = A(FD)=NORMAL, B=HS(1Mbps+)
 J+ = I(FD)=+BIAS, R=NO +BIAS (NR)
 J- = I(FD)=-BIAS, R=NO -BIAS (NR)
 JT = I(FD)=150-OHM TERM, R=NO TERM
 FACTORY DEFAULT SETTING SHOULD ALLOW VERY GOOD OPERATION IN MOST APPLICATIONS. DO NOT REMOVE J+/- UNLESS YOU HAVE A VERY GOOD REASON FOR DOING SO.
 CALL RDN @ 513-638-0228 CELL IF YOU HAVE QUESTIONS

MINOR CHANGE 3-27-2007
 REPLACE SN65LBC184N WITH SP485REP
 CHANGE R13 FROM 27K TO 39K
 REV. C CHANGES 10-11-08
 74AC00 REPLACED 74AC14, VERT. LEDs, 8.2CA, RS485 SPEED TO 3.0MBPS



RESsmith
 WWW.RS485.COM
 10330 CHESTER ROAD, CINCINNATI, OHIO 45215
 513-874-4796

MODEL REV. C
 F485CT

This drawing is the property of R. E. SMITH and shall not be used except with the written permission of R. E. SMITH, no copies shall be made of it and all proprietary rights in the matter contained in this drawing are the property of R. E. SMITH. COPYRIGHT - R. E. SMITH, 2000-2010		DRAWN BY RES	SUBJECT FIBER<=>ISO. RS485
DATE 10-14-08 UPDATE 7-22-10	FOR AUTO CONVERSION	SCALE NONE	
SHEET 1 OF 1	F485CT	CHKD. BY RES	REV. C