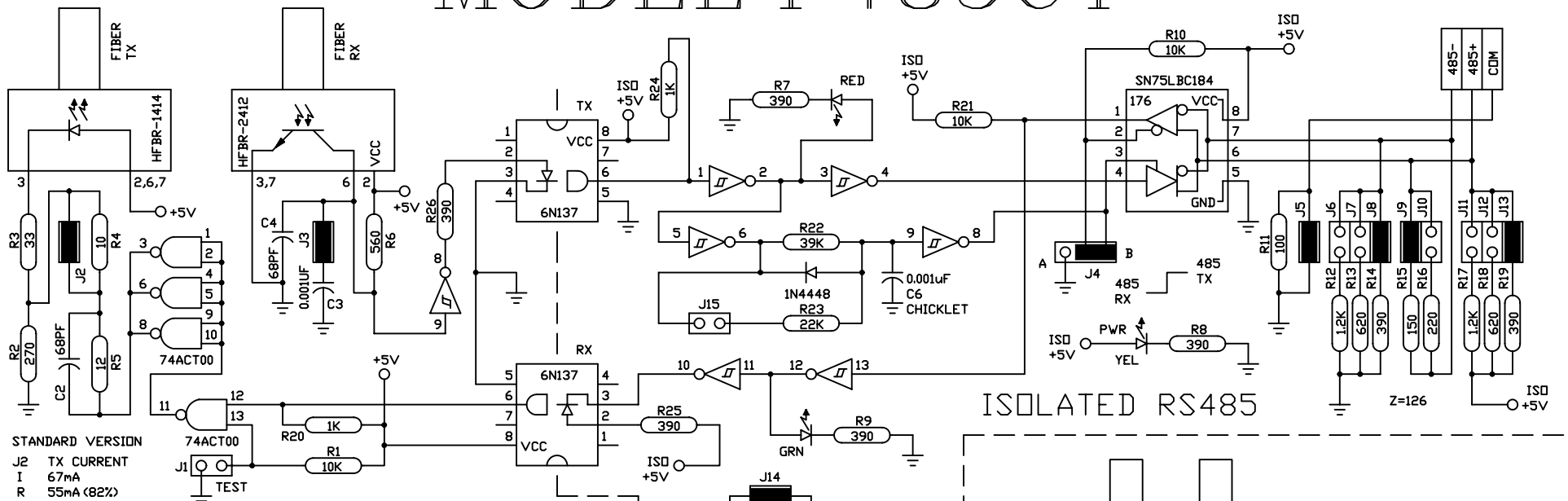
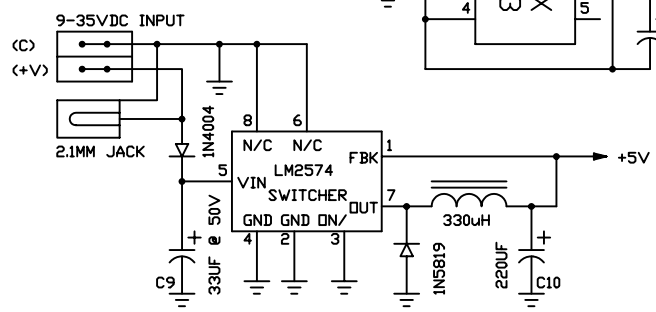


# MODEL F485CT

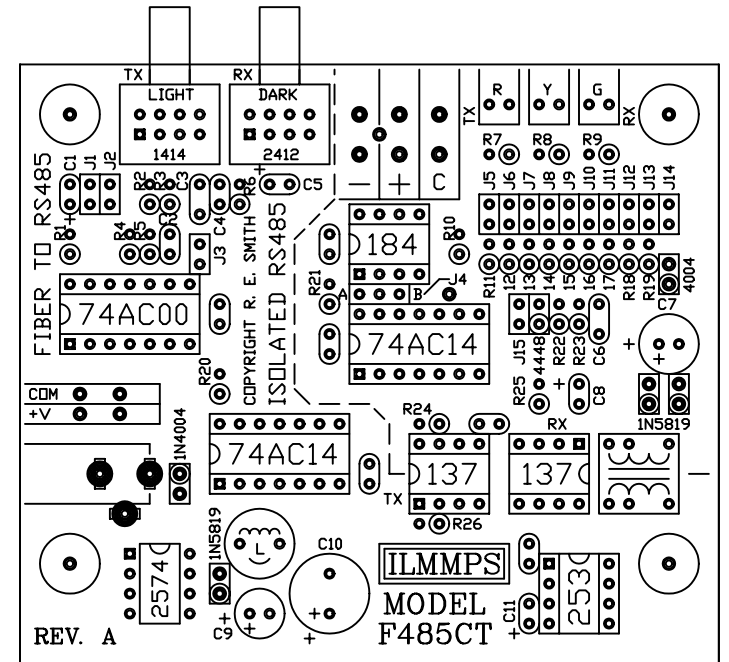


STANDARD VERSION  
 J2 TX CURRENT  
 I 67mA  
 R 55mA (82%)

■ JUMPER INSTALLED  
 (FACTORY SETTING)



ISOLATED RS485



R. E. SMITH

4311 TYLERSVILLE ROAD  
 HAMILTON, OHIO 45011

513-874-4796

513-874-1236 Fax.

www.rs485.com

This drawing is the property of R. E. SMITH and shall not be used except with the written permission of R. E. SMITH, no copies shall be made of it and all proprietary rights in the matter contained in this drawing are the property of R. E. SMITH. COPYRIGHT - R. E. SMITH, 2000		DRAWN BY RES	SUBJECT FIBER TO RS485	
SHEET 1 OF 1		DATE 4-8-00	FOR AUTO CONVERSION	
F485CT		SCALE NONE	RES R. E. SMITH 4311 TYLERSVILLE RD. HAMILTON, OHIO 45011	
CHKD. BY RES		DWG. NO. F485CT		REV. A