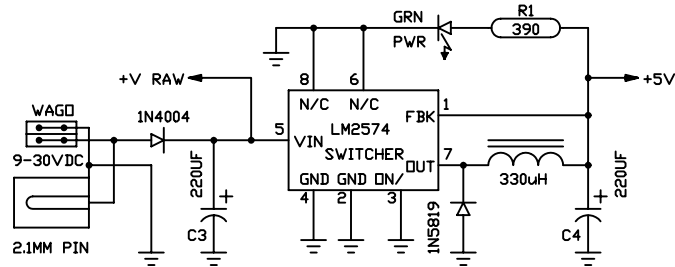
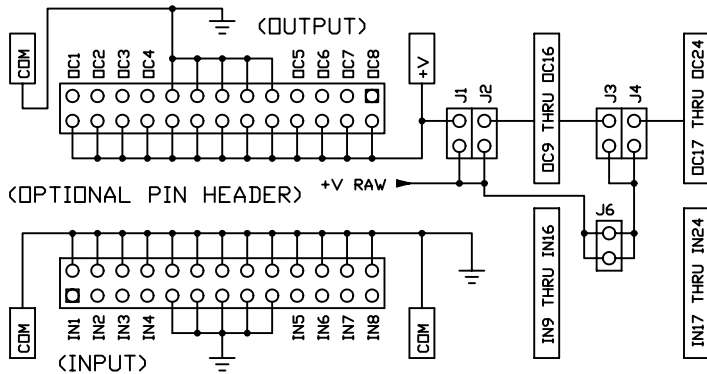
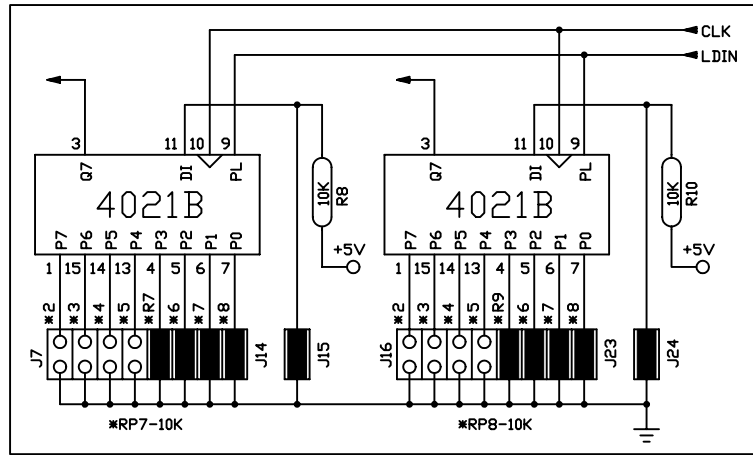
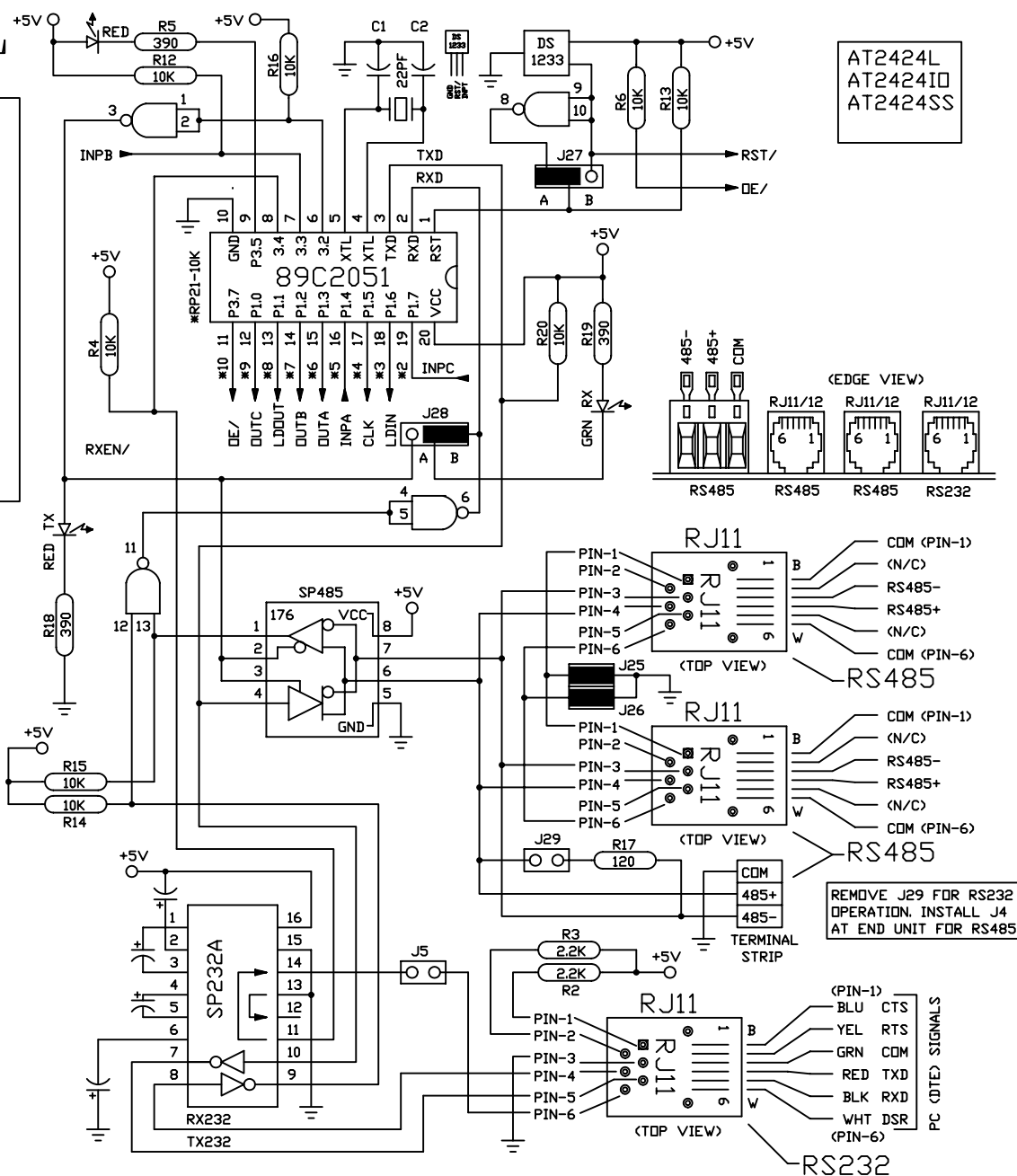
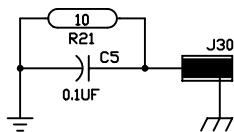


MODEL AT2424L

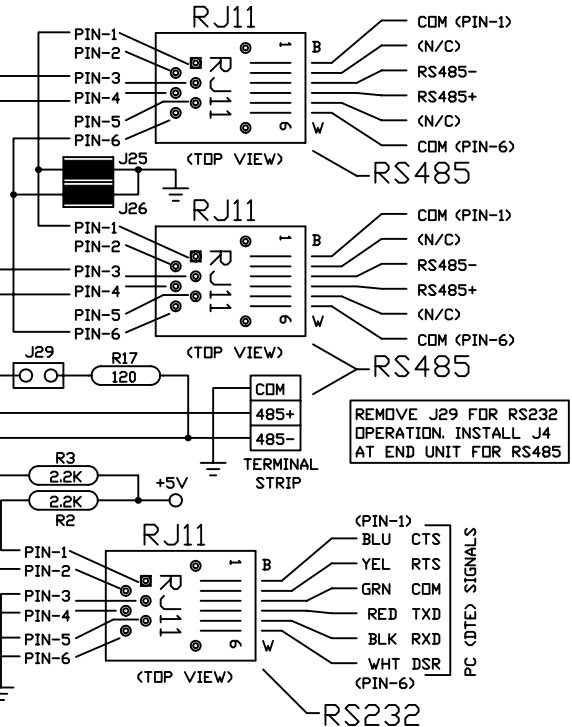
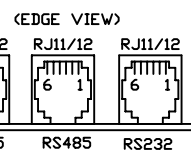
DUPLICATE CIRCUITRY - SEE DIGITAL I/O DRAWING



R. E. SMITH
4311 TYLERSVILLE ROAD
HAMILTON, OHIO 45011
513-874-4796
www.rs485.com



AT2424L
AT242410
AT2424SS



REMOVE J29 FOR RS232 OPERATION. INSTALL J4 AT END UNIT FOR RS485

This drawing is the property of R. E. SMITH and shall not be used except with the written permission of R. E. SMITH, no copies shall be made of it and all proprietary rights in the matter contained in this drawing are the property of R. E. SMITH. COPYRIGHT - R. E. SMITH, 1999		DRAWN BY RES	SUBJECT CORE PROCESSOR	
DATE 1-26-99		FOR 24-IN & 24-OUT		
SCALE NONE		R. E. SMITH 4311 TYLERSVILLE RD. HAMILTON, OHIO 45011		
SHEET 1 OF 1		CHKD. BY RES	DWG. NO. AT2424L	REV. A