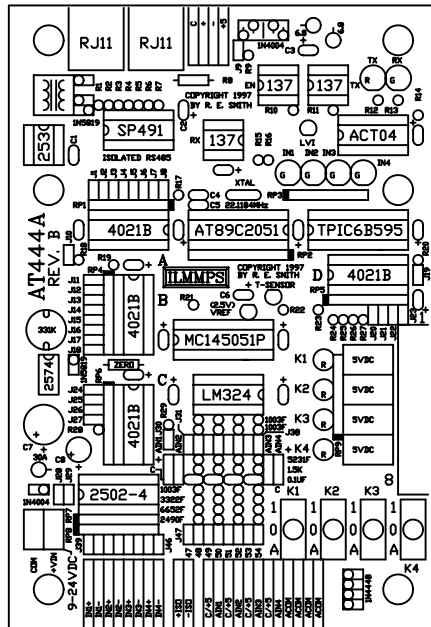
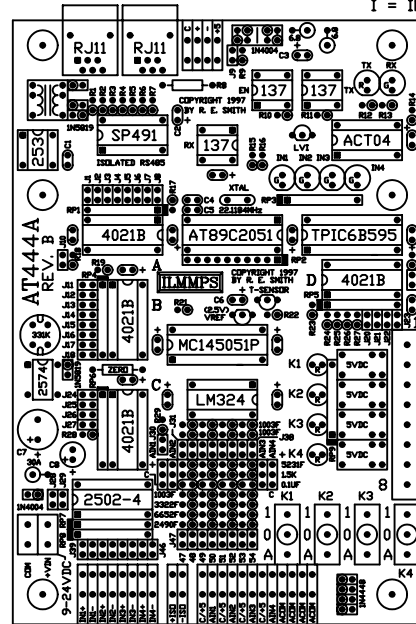


COMPONENT SIDE



PHYSICAL & SOFTWARE QUICK REFERENCE

I = INSTALL R = REMOVE X = DON'T CARE



- J24 J25 J26 J27 BAUD
 - I I I I 9600* (DEFAULT)
 - I I I R 115.2K
 - I I R I 9600
 - I I R R 57.6K
 - I I R I 38.8K
 - I I R R 28.8K
 - I R R R 19.2K
 - R X X R 14.4K
 - R X X 9600
- ADDRESS JUMPERS = J11-J18
 J11 = MSB, J18 = LSB
 J9 = RS485 TERMINATION = I
- (LXX CMD REQUIRED FIRST)
 CMD RETURN INFO. (XXXX = 16-BIT)
 U UNIT ID = A003 (AT444A)
 V SOFT VER. = 010A (VER = 1.0A)
 J JUMPERS = J20-J27
 I I/O INFO = ERR-OUT-INP-RLY
 ERR = 1 IF OUT NOT = RLY
 ERR = K1,K2,K3,K4
 OUT = K1,K2,K3,K4
 INP = IN1,IN2,IN3,IN4
 RLY = K1,K2,K3,K4(STATUS)
- R10 AIN1 (0000-03FF)
 R12 AIN2 (0000-03FF)
 R14 AIN3 (0000-03FF)
 R16 AIN4 (0000-03FF)
 R0E AIN9 (0000-03FF) TEMPERATURE
 R5A FIRST NIBBLE = J20-J23
 NEXT NIBBLE = J24-J27
 (R5B) NEXT NIBBLE = 0000
 LAST NIBBLE = 0, J10, J19, J30
 (INSTALL J30 FOR NEW CMDS)
 R5C FIRST NIBBLE = IN1-IN4
 NEXT NIBBLE = K1-K4 STATUS
 (R5D) NEXT NIBBLE = J1-J4
 LAST NIBBLE = J5-J8

NOTE: REGISTER LOCATIONS SUBJECT TO CHANGE

This drawing is the property of R. E. SMITH and shall not be used except with the written permission of R. E. SMITH, no copies shall be made of it and all proprietary rights in the matter contained in this drawing are the property of R. E. SMITH. COPYRIGHT - R. E. SMITH, 1995		DRAWN BY RES	SUBJECT 10-BIT ANALOG	
DATE 9-12-95		FOR DS CORE PROCESSOR		
SCALE NONE		RES		DWG. NO. DSA10SS
SHEET 1 OF 1		CHKD. BY RES		REV. A
DSA10SS		R. E. SMITH 4381 TYLERSVILLE RD. HAMILTON, OHIO 45011		