

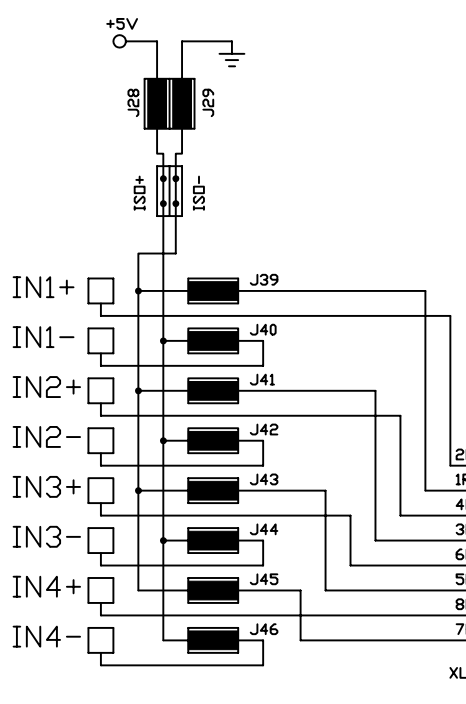
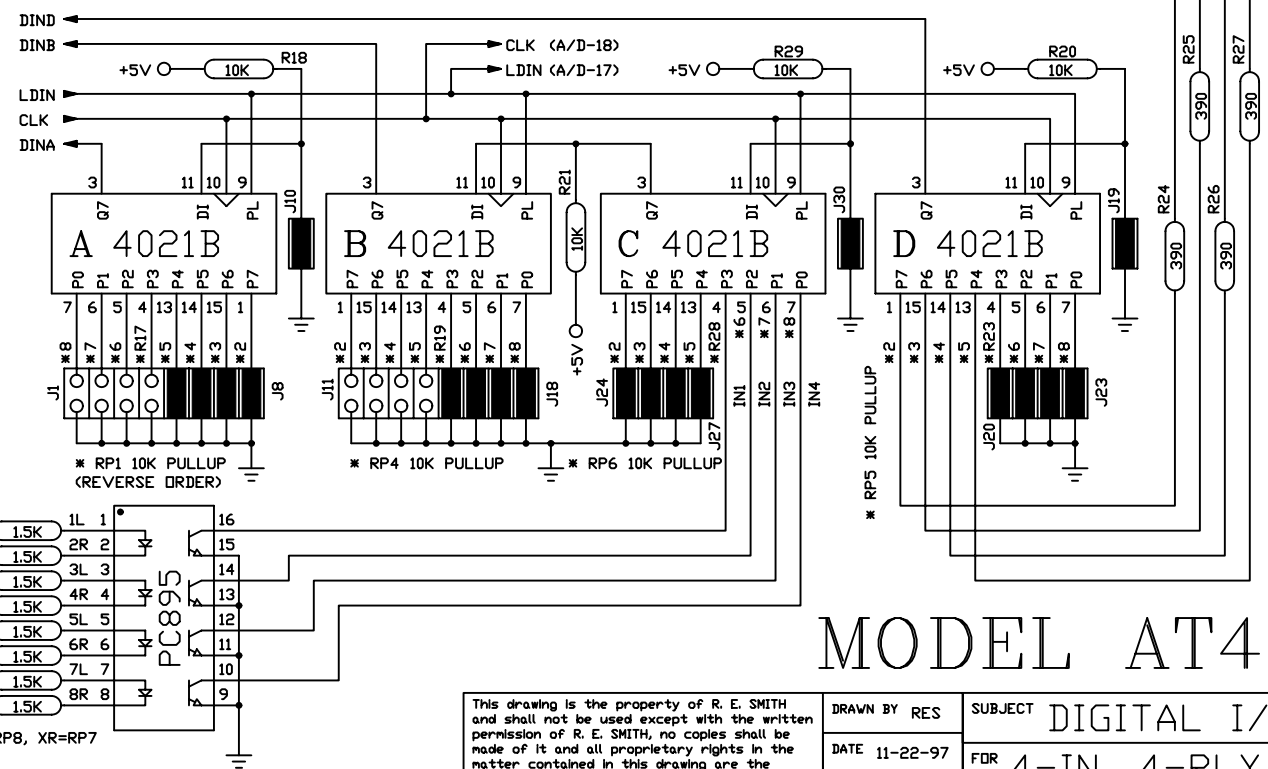
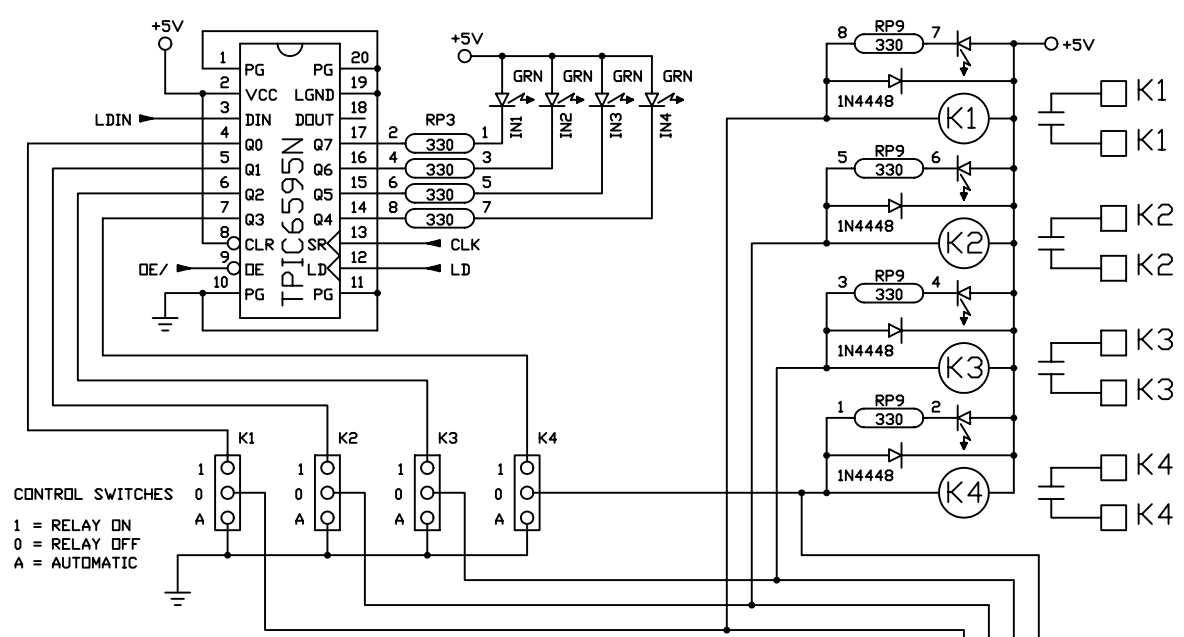
R. E. SMITH

4311 TYLERSVILLE ROAD
HAMILTON, OHIO 45011
513-874-4796
513-874-1236 Fax.

AT444CPU
AT444DIO
AT444AIN
AT444ASS

NOTES:

- 1) MIN ISOLATED INPUT CURRENT = 1.2MA
- 2) MIN CURRENT TRANSFER RATIO = 20%
- 3) MAX. POWER (2 RESISTORS) = 0.25W
- 4) R = 6800 X 2, 18-60V, 1.2-4.5MA
- 5) R = 5100 X 2, 13-51V, 1.2-5.0MA
- 6) R = 4700 X 2, 12-48V, 1.2-5.1MA
- 7) R = 3300 X 2, 9-40V, 1.2-6.1MA
- 8) R = 2200 X 2, 7-32V, 1.2-7.3MA*(STD.)
- 9) R = 1500 X 2, 5-27V, 1.2-9.0MA
- 10) R = 1000 X 2, 3.8-22V, 1.2-11.0MA



MODEL AT444A

This drawing is the property of R. E. SMITH and shall not be used except with the written permission of R. E. SMITH, no copies shall be made of it and all proprietary rights in the matter contained in this drawing are the property of R. E. SMITH.		DRAWN BY RES		SUBJECT DIGITAL I/O	
COPYRIGHT - R. E. SMITH, 1997		DATE 11-22-97		FOR 4-IN, 4-RLY, 4-ANL	
SHEET 1 OF 1		SCALE NONE		RES R. E. SMITH 4311 TYLERSVILLE RD. HAMILTON, OHIO 45011	
AT444DIO		CHKD. BY RES		DWG. NO. AT444DIO	
				REV. A	