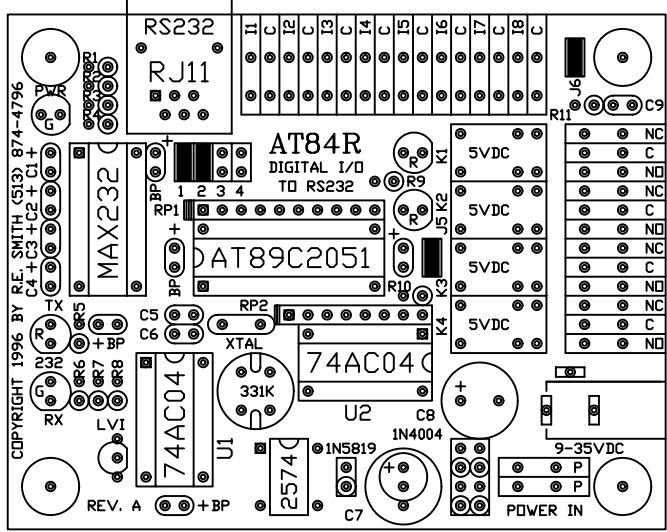


NOTE: FOR AVR OPERATION  
USE MCP101-450F (OR H)  
BOND OUT -R+ (+R-)  
USE 7.3728 XTAL



ACTUAL SIZE (1 TO 1)

NODE ADDRESS SET FOR 01H  
COMMAND STRUCTURE: (FIXED ADDRESS 01H AND GXX RETURN STRING)  
LXX CMD = RETURN XX FL  
XX = HEX ADDRESS (001H FIXED)  
FL = FLAG STATUS (0E0H FIXED)  
GXX CMD = RETURN XX FL - DL DR IL CS \*  
XX = HEX ADDRESS (001H FIXED)  
FL = FLAG STATUS (0E0H FIXED)  
DL = RELAY STATUS (BITS 3-0)  
DR = TTL OUTPUT PORT STATUS  
IL = TTL INPUT PORT STATUS  
CS = CHECK SUM  
PXX = RETURN RR XX  
XX = HEX OUTPUT DATA  
RR = REGISTER LOCATION  
FIRST PXX COMMAND AFTER GXX COMMAND  
IS SENT TO RELAY PORT, NEXT PXX CMD  
IS SENT TO TTL OUTPUT PORT. POINTER IS  
SET BY GXX CMD, TO RSE AND TOGGLES  
BETWEEN RSE AND RSF WITH EACH PXX CMD.  
RXX AND MXX COMMANDS ARE ACTIVE TO  
MONITOR/MODIFY OTHER REGISTER LOACTIONS.

R. E. SMITH  
4311 TYLERSVILLE ROAD  
HAMILTON, OHIO 45011  
513-874-4796  
513-874-1236 Fax.

\$99.00ea. / \$79.00ea. 100 QTY.

This drawing is the property of R. E. SMITH and shall not be used except with the written permission of R. E. SMITH, no copies shall be made of it and all proprietary rights in the matter contained in this drawing are the property of R. E. SMITH. COPYRIGHT - R. E. SMITH 1996		DRAWN BY RES	SUBJECT RS232 TO DIGITAL	
DATE 7-30-96		FOR 8-INPUTS/4-RELAYS		
SCALE NONE		RES		DWG. NO. AT84R
SHEET 1 OF 1	AT84R	CHKD. BY RES	R. E. SMITH 4311 TYLERSVILLE RD. HAMILTON, OHIO 45011	REV. A