

INSTALL J8 FOR 27C256 PROM

JUMPER INSTALLED (FACTORY SETTING)

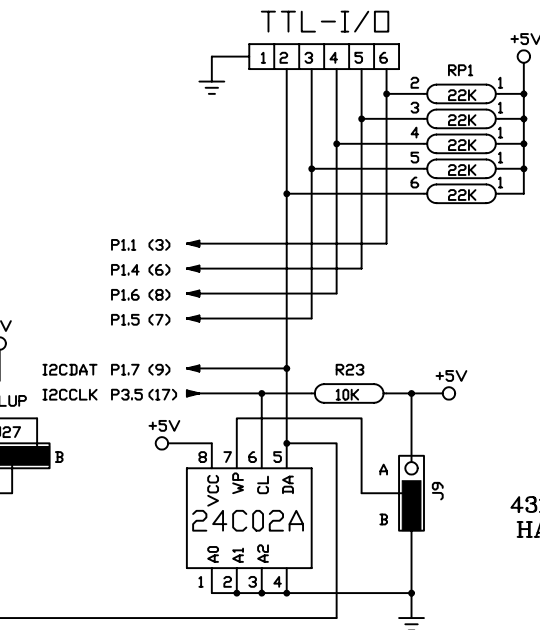
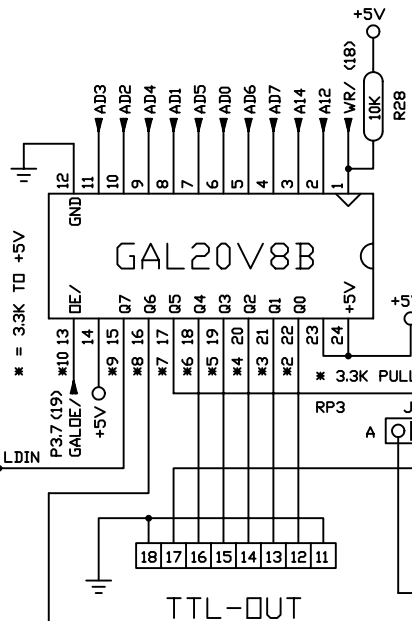
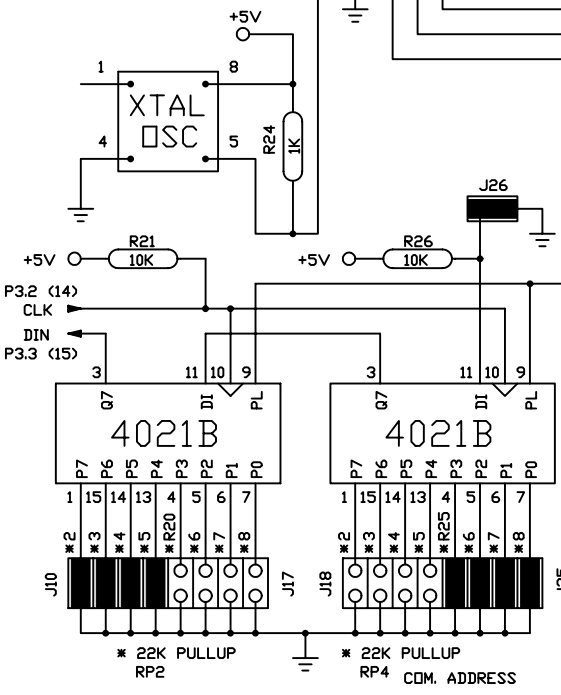
A\*N\*A;DG (16-BYTE RETURN STRING)  
 (N00) 00 CH1H CH1L CH2H CH2L CH3H CH3L CS  
 (N01) 01 CH4H CH4L CH5H CH5L CH6H CH6L CS  
 (N02) 02 CH7H CH7L CH8H CH8L CH9H CH9L CS  
 (N03) 03 CH10H CH10L CH11H CH11L DL IL CS

J15	J16	BAUD
R	R	9600
I	I	19200
I	R	38400
I	I	57600

I = INSTALL  
 R = REMOVE

\*I=14.7456MHz, R=7.3728MHz

\*G\*ET-STRING = CA DL DR IL IR AL AR CS (16-BYTES)



- DSA10CPU
- DSA10SID
- DSA10AIN
- DSA10AUX
- DSA10SS
- DSA10WD

R. E. SMITH  
 4311 TYLERSVILLE ROAD  
 HAMILTON, OHIO 45011  
 (513) 874-4796

NOTE: NO JUMPER J29

# MODEL DSANL10

This drawing is the property of R. E. SMITH and shall not be used except with the written permission of R. E. SMITH, no copies shall be made of it and all proprietary rights in the matter contained in this drawing are the property of R. E. SMITH. COPYRIGHT - R. E. SMITH, 1995		DRAWN BY RES	SUBJECT DSA10CPU
DATE 9-15-95		FOR CPU, PROM, I2C BUS	
SCALE NONE		RES R. E. SMITH 4311 TYLERSVILLE RD. HAMILTON, OHIO 45011	DWG. NO. DSA10CPU
SHEET 1 OF 1	DSA10CPU	CHKD. BY RES	REV. A