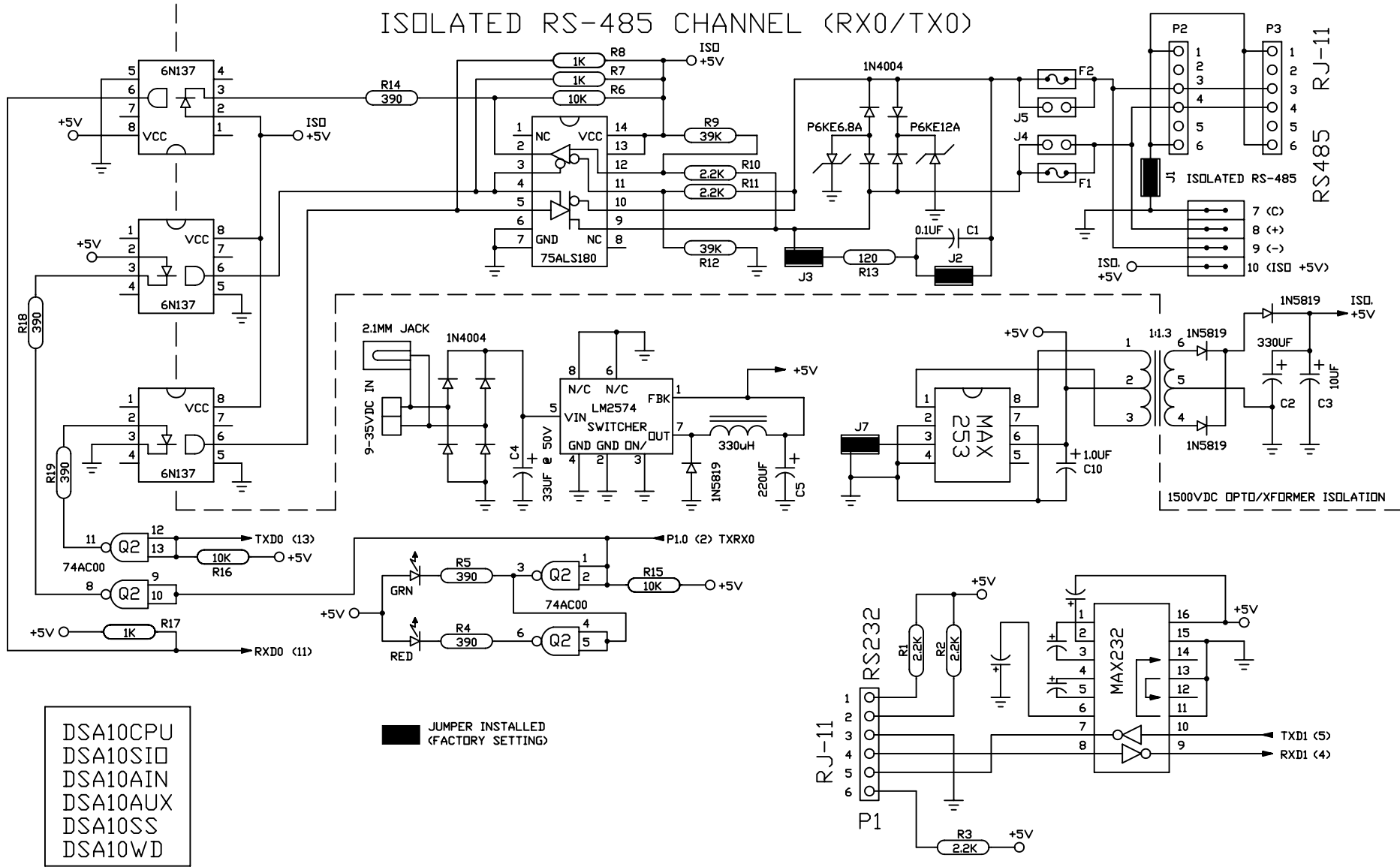


ISOLATED RS-485 CHANNEL (RX0/TX0)



- DSA10CPU
- DSA10SID
- DSA10AIN
- DSA10AUX
- DSA10SS
- DSA10WD

R. E. SMITH
 4311 TYLERSVILLE ROAD
 HAMILTON, OHIO 45011
 (513) 874-4796

MODEL DSANL10

This drawing is the property of R. E. SMITH and shall not be used except with the written permission of R. E. SMITH, no copies shall be made of it and all proprietary rights in the matter contained in this drawing are the property of R. E. SMITH. COPYRIGHT - R. E. SMITH, 1995		DRAWN BY RES	SUBJECT DS80C320 CORE uP
SHEET 1 OF 1		DATE 9-15-95	FOR SERIAL I/O & POWER
DSA10SID		SCALE NONE	RES R. E. SMITH 4311 TYLERSVILLE RD. HAMILTON, OHIO 45011
CHKD. BY RES			DWG. NO. DSA10SID REV. A