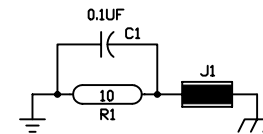
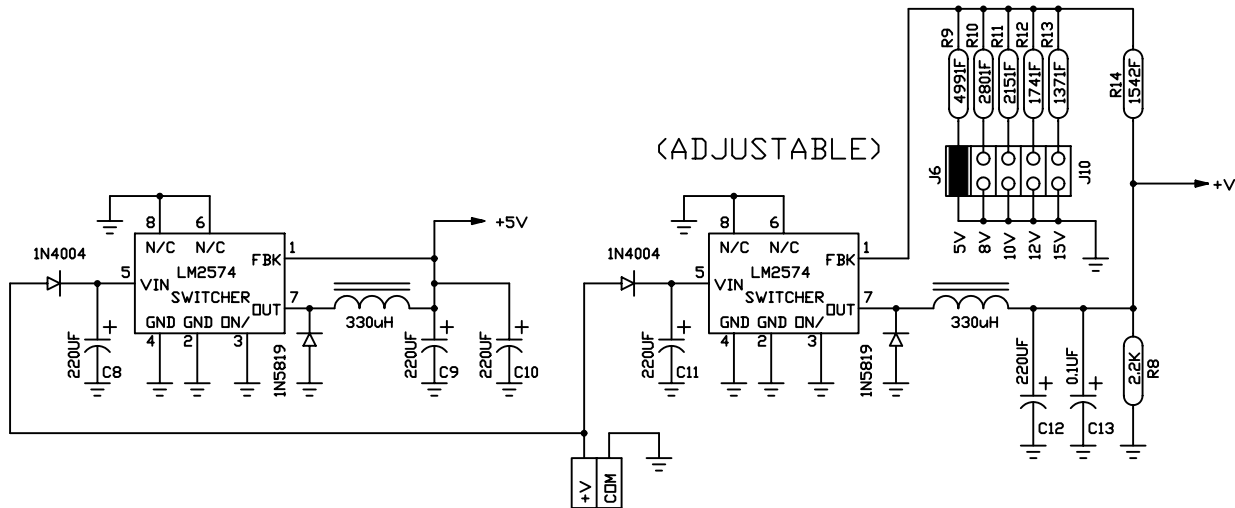


R. E. SMITH
 4311 TYLERSVILLE ROAD
 HAMILTON, OHIO 45011
 513-874-4796

www.rs485.com



■ JUMPER INSTALLED
 ◻ FACTORY SETTING

MODEL DSC2 REV. A

This drawing is the property of R. E. SMITH and shall not be used except with the written permission of R. E. SMITH, no copies shall be made of it and all proprietary rights in the matter contained in this drawing are the property of R. E. SMITH. COPYRIGHT - R. E. SMITH, 1999		DRAWN BY RES	SUBJECT MODEL DSC2
SHEET 1 OF 1		DATE 7-16-99	FOR CPU, MEMORY, PS
DSC2CP		SCALE NONE	RES R. E. SMITH 4311 TYLERSVILLE RD. HAMILTON, OHIO 45011
CHKD. BY RES		DWG. NO. DSC2CP	REV. A