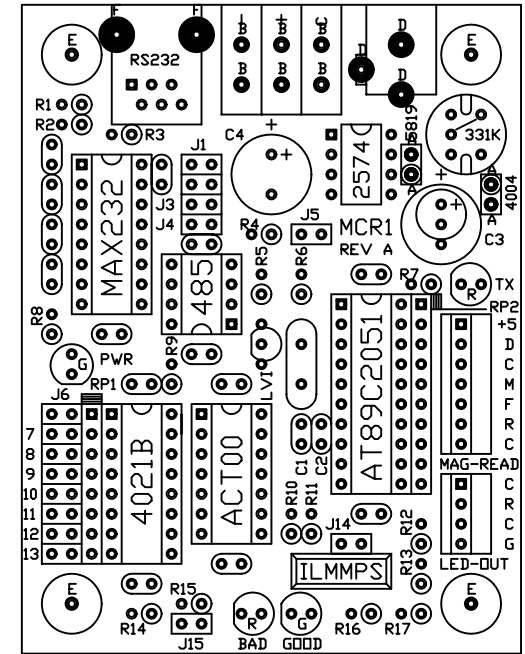
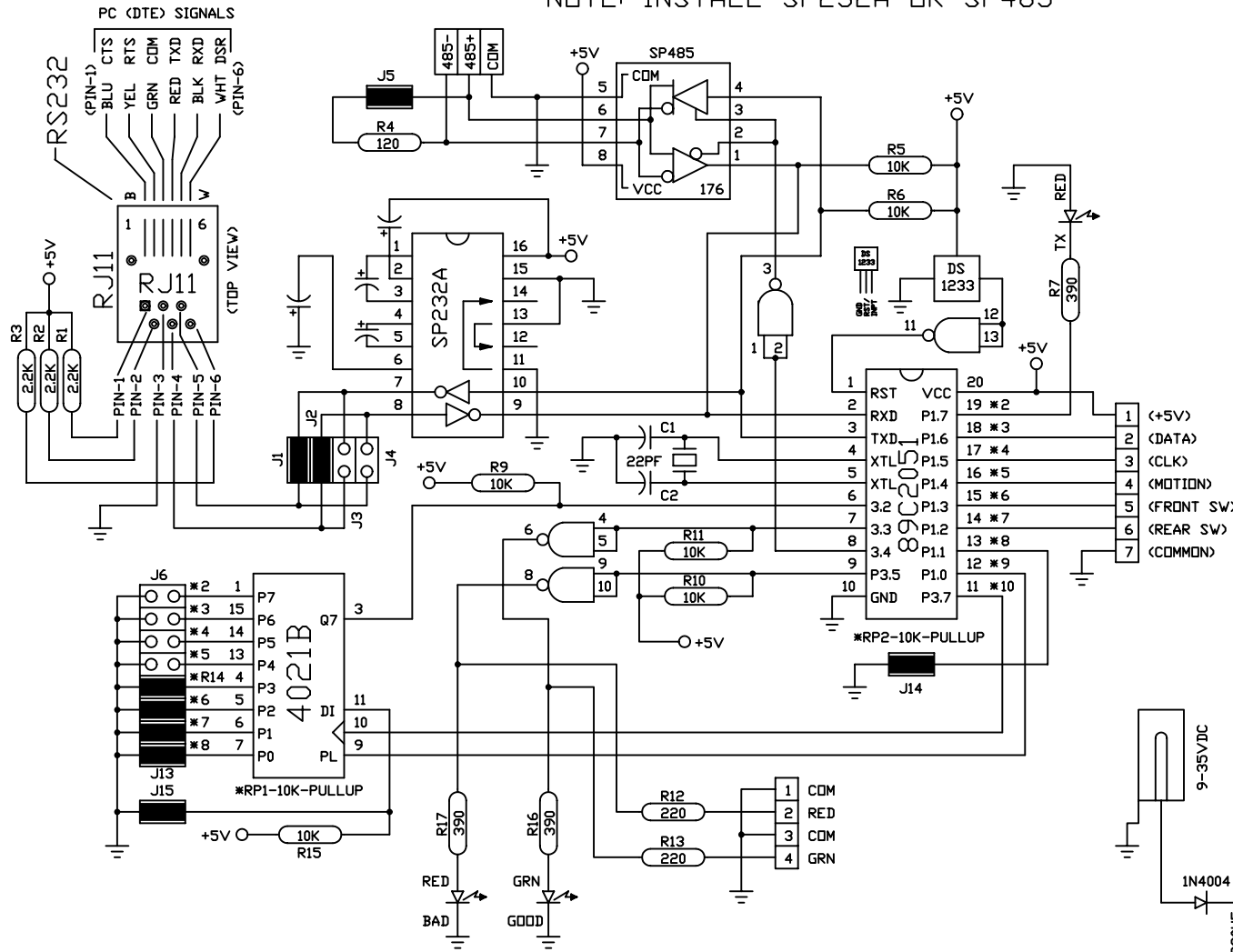
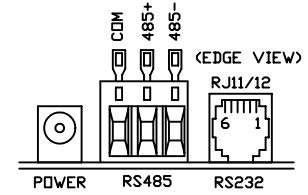
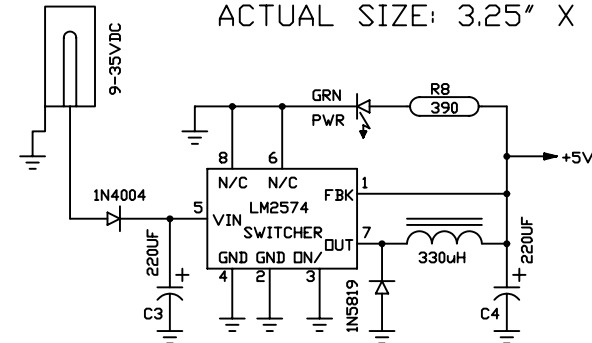


MODEL MCR1

NOTE: INSTALL SP232A OR SP485



ACTUAL SIZE: 3.25" X 2.50"



R. E. SMITH
4311 TYLERSVILLE ROAD
HAMILTON, OHIO 45011
513-874-4796
www.rs485.com

This drawing is the property of R. E. SMITH and shall not be used except with the written permission of R. E. SMITH, no copies shall be made of it and all proprietary rights in the matter contained in this drawing are the property of R. E. SMITH. COPYRIGHT - R. E. SMITH, 1999		DRAWN BY RES	SUBJECT CORE PROCESSOR	
SHEET 1 OF 1		DATE 4-5-99	FOR TRACK-2 MAG READER	
MCR1		SCALE NONE	RES R. E. SMITH 4311 TYLERSVILLE RD. HAMILTON, OHIO 45011	
CHKD. BY RES		DWG. NO. MCR1		REV. A