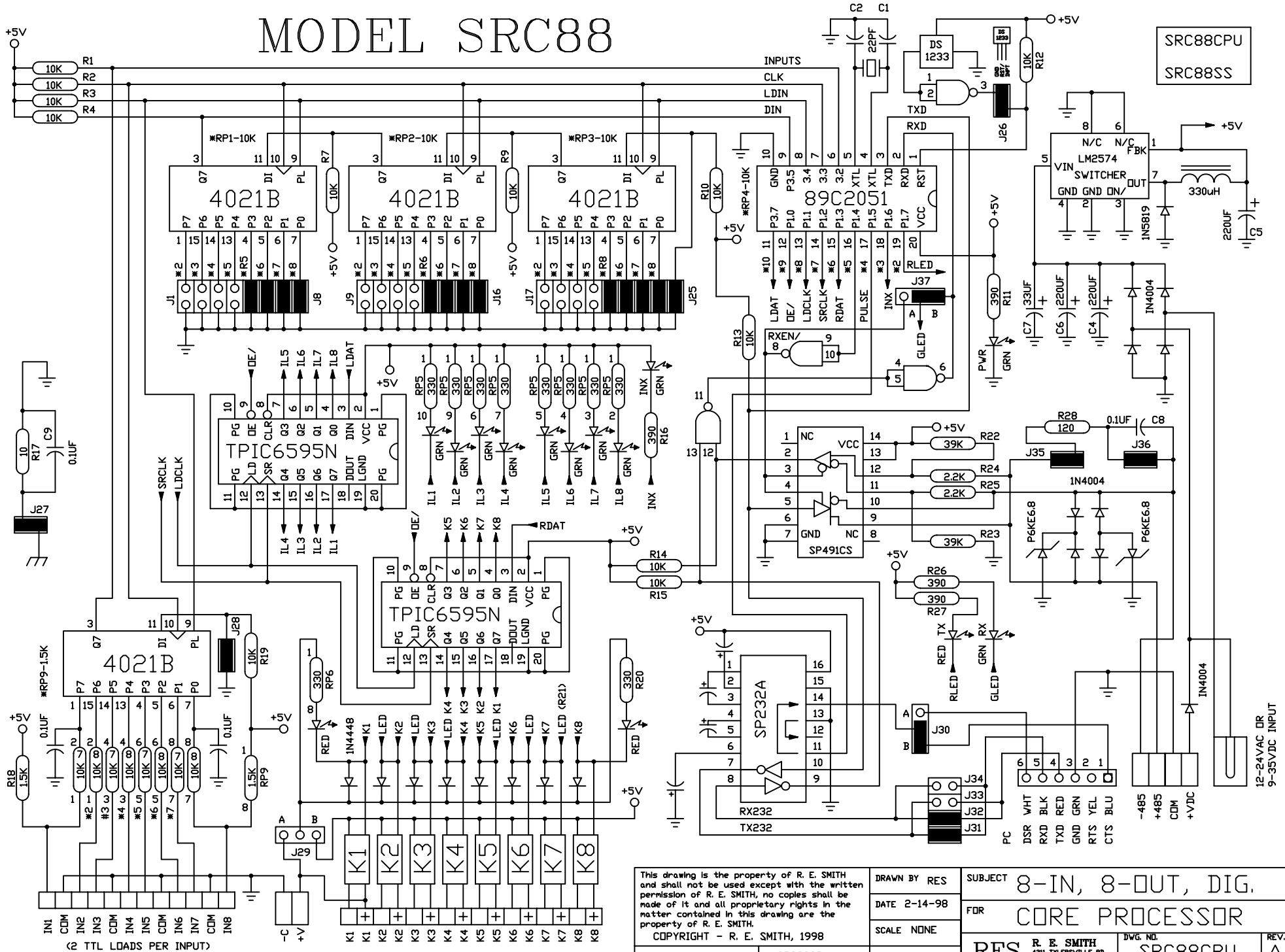


MODEL SRC88



This drawing is the property of R. E. SMITH and shall not be used except with the written permission of R. E. SMITH, no copies shall be made of it and all proprietary rights in the matter contained in this drawing are the property of R. E. SMITH.		DRAWN BY RES		SUBJECT 8-IN, 8-OUT, DIG.	
COPYRIGHT - R. E. SMITH, 1998		DATE 2-14-98		FOR CORE PROCESSOR	
SHEET 1 OF 1		SCALE NONE		RES R. E. SMITH 431 TYLERSVILLE RD. HAMILTON, OHIO 45011	
SRC88CPU		CHKD. BY RES		DWG. NO. SRC88CPU	
				REV. A	